

MMA68xx, Dual-axis SPI Inertial Sensor

MMA68xx, a SafeAssure solution, is a SPI-based, 2-axis, medium-g, over-damped lateral accelerometer designed for use in automotive airbag systems.

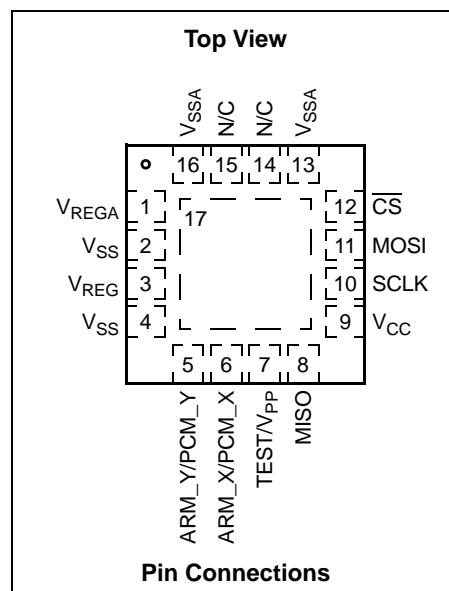
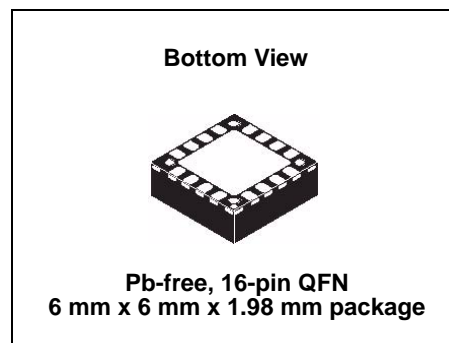
Features

- $\pm 20\text{ g}$ to $\pm 120\text{ g}$ full-scale range, independently specified for each axis
- 3.3 V or 5 V single supply operation
- SPI-compatible serial interface
- 10-bit digital signed or unsigned SPI data output
- Independent programmable arming functions for each axis
- Twelve low-pass filter options, ranging from 50 Hz to 1000 Hz
- Optional offset cancellation with $> 6\text{ s}$ averaging period and $< 0.25\text{ LSB/s}$ slew rate
- Pb-free, 16-pin QFN, 6 mm x 6 mm x 1.98 mm package

Referenced Documents

- Qualified AEC-Q100, Revision G, Grade 1 (-40°C to $+125^{\circ}\text{C}$)
(<http://www.aecouncil.com/>)

Ordering information				
Device	X-axis Range	Y-axis Range	Package	Shipping
MMA6811BKCW	$\pm 60\text{ g}$	$\pm 25\text{ g}$	98ASA00690D	Tubes
MMA6813BKCW	$\pm 50\text{ g}$	$\pm 50\text{ g}$	98ASA00690D	Tubes
MMA6821BKCW	$\pm 120\text{ g}$	$\pm 25\text{ g}$	98ASA00690D	Tubes
MMA6823BKCW	$\pm 120\text{ g}$	$\pm 60\text{ g}$	98ASA00690D	Tubes
MMA6825BKCW	$\pm 100\text{ g}$	$\pm 100\text{ g}$	98ASA00690D	Tubes
MMA6826BKCW	$\pm 60\text{ g}$	$\pm 60\text{ g}$	98ASA00690D	Tubes
MMA6827BKCW	$\pm 120\text{ g}$	$\pm 120\text{ g}$	98ASA00690D	Tubes
MMA6811BKCWR2	$\pm 60\text{ g}$	$\pm 25\text{ g}$	98ASA00690D	Tape & Reel
MMA6813BKCWR2	$\pm 50\text{ g}$	$\pm 50\text{ g}$	98ASA00690D	Tape & Reel
MMA6821BKCWR2	$\pm 120\text{ g}$	$\pm 25\text{ g}$	98ASA00690D	Tape & Reel
MMA6823BKCWR2	$\pm 120\text{ g}$	$\pm 60\text{ g}$	98ASA00690D	Tape & Reel
MMA6825BKCWR2	$\pm 100\text{ g}$	$\pm 100\text{ g}$	98ASA00690D	Tape & Reel
MMA6826BKCWR2	$\pm 60\text{ g}$	$\pm 60\text{ g}$	98ASA00690D	Tape & Reel
MMA6827BKCWR2	$\pm 120\text{ g}$	$\pm 120\text{ g}$	98ASA00690D	Tape & Reel



1 General Description

1.1 Application Diagram

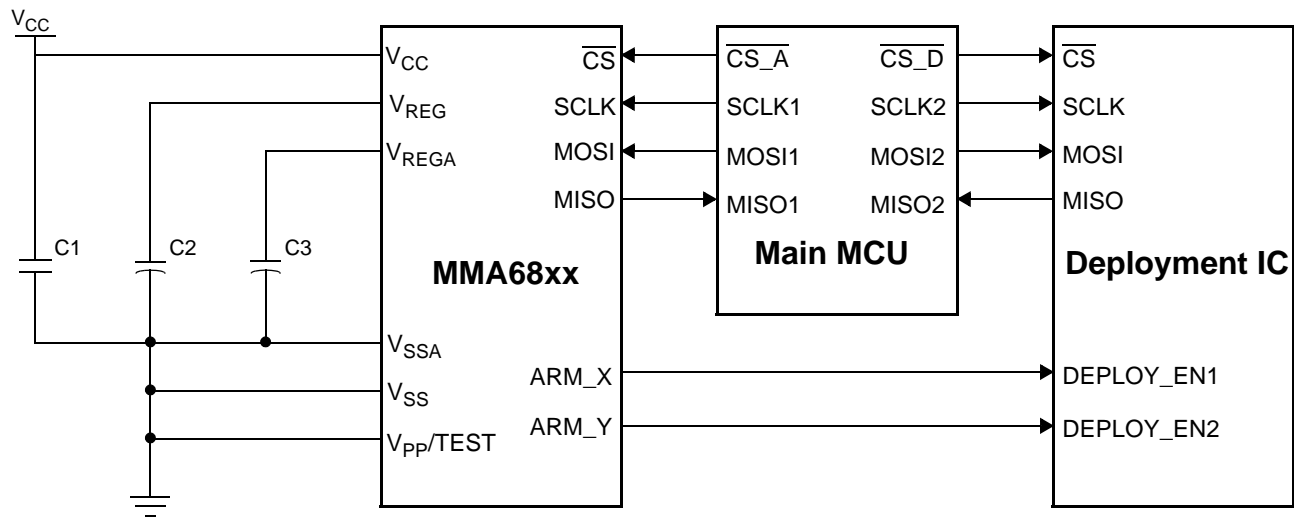


Figure 1. Application Diagram

Table 1. External Component Recommendations

Ref Des	Type	Description	Purpose
C1	Ceramic	0.1 μ F, 10 %, 10 V Minimum, X7R	V _{CC} Power Supply Decoupling
C2	Ceramic	1 μ F, 10 %, 10 V Minimum, X7R	Voltage Regulator Output Capacitor (C _{REG})
C3	Ceramic	1 μ F, 10 %, 10 V Minimum, X7R	Voltage Regulator Output Capacitor (C _{REGA})

1.2 Device Orientation and Part Marking

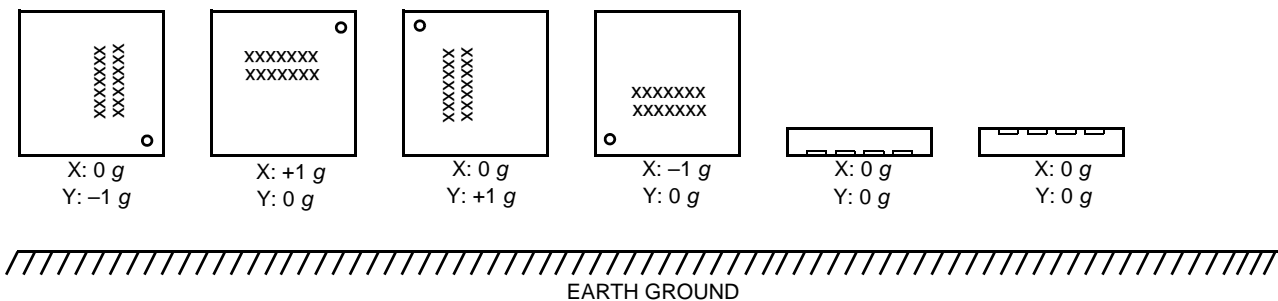


Figure 2. Device Orientation Diagram

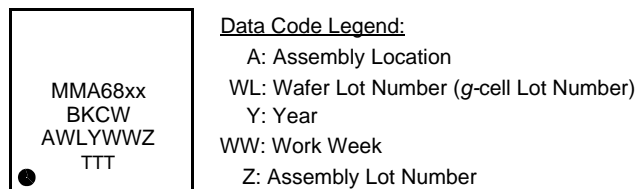


Figure 3. Part Marking

1.3 Internal Block Diagram

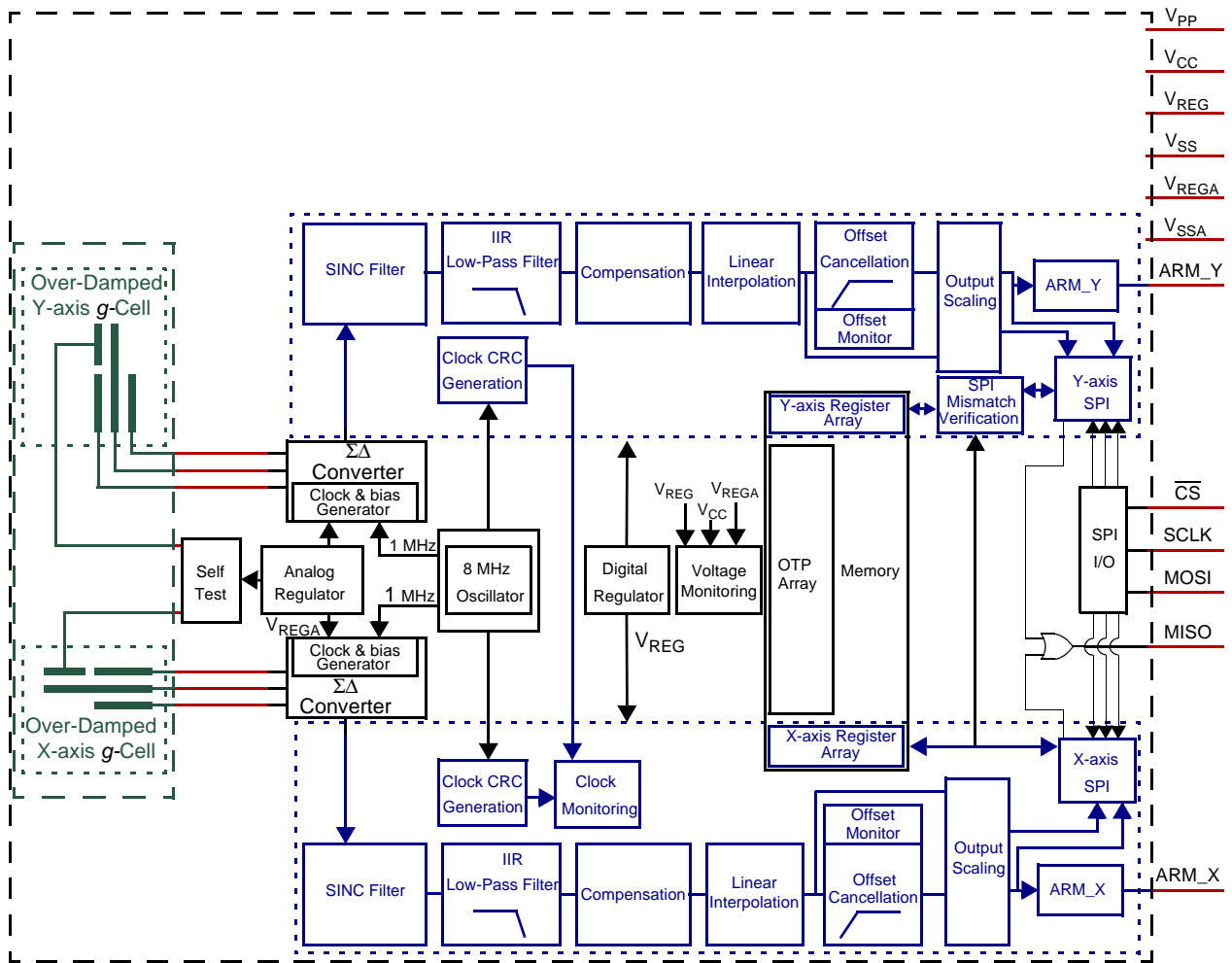


Figure 4. Block Diagram

2 Pin Connections

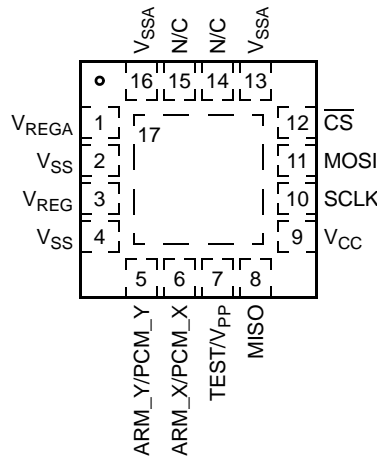


Figure 5. 16-Pin QFN Package, Top View

Table 2. Pin Description

Pin	Pin Name	Formal Name	Definition
1	VREGA	Analog Supply	This pin is connected to the power supply for the internal analog circuitry. An external capacitor must be connected between this pin and V _{SSA} . Reference Figure 1 .
2	V _{SS}	Digital GND	This pin is the power supply return node for the digital circuitry.
3	VREG	Digital Supply	This pin is connected to the power supply for the internal digital circuitry. An external capacitor must be connected between this pin and V _{SS} . Reference Figure 1 .
4	V _{SS}	Digital GND	This pin is the power supply return node for the digital circuitry.
5	ARM_Y/ PCM_Y	Y-axis Arm Output / PCM Output	The function of this pin is configurable via the DEVCFG register as described in Section 4.1.6.5 . When the arming output is selected, ARM_Y can be configured as an open drain, active low output with a pullup current; or an open drain, active high output with a pulldown current. Alternatively, this pin can be configured as a digital output with PCM signal proportional to the Y-axis acceleration data. Reference Section 4.8.9 and Section 4.8.9.1 . If unused, this pin must be left unconnected.
6	ARM_X/ PCM_X	X-axis Arm Output / PCM Output	The function of this pin is configurable via the DEVCFG register as described in Section 4.1.6.5 . When the arming output is selected, ARM_X can be configured as an open drain, active low output with a pullup current; or an open drain, active high output with a pulldown current. Alternatively, this pin can be configured as a digital output with a PCM signal proportional to the X-axis acceleration data. Reference Section 4.8.9 and Section 4.8.9.1 . If unused, this pin must be left unconnected.
7	TEST/ V _{PP}	Programming Voltage	This pin provides the power for factory programming of the OTP registers. This pin must be connected to V _{SS} in the application.
8	MISO	SPI Data Out	This pin functions as the serial data output for the SPI port.
9	V _{CC}	Supply	This pin supplies power to the device. An external capacitor must be connected between this pin and V _{SS} . Reference Figure 1 .
10	SCLK	SPI Clock	This input pin provides the serial clock to the SPI port. An internal pulldown device is connected to this pin.
11	MOSI	SPI Data In	This pin functions as the serial data input to the SPI port. An internal pulldown device is connected to this pin.
12	CS	Chip Select	This input pin provides the chip select for the SPI port. An internal pullup device is connected to this pin.
13	V _{SSA}	Analog GND	This pin is the power supply return node for analog circuitry.
14	N/C	No Connect	No Connection
15	N/C	No Connect	No Connection
16	V _{SSA}	Analog GND	This pin is the power supply return node for analog circuitry.
17	PAD	Die Attach Pad	This pin is the die attach flag, and is internally connected to V _{SS} .
	Corner Pads	Corner Pads	The corner pads are internally connected to V _{SS} .

3 Electrical Characteristics

3.1 Maximum Ratings

Maximum ratings are the extreme limits to which the device can be exposed without permanently damaging it.

#	Rating	Symbol	Value	Unit	
1	Supply Voltage	V_{CC}	-0.3 to +7.0	V	(3)
2	C_{REG} , C_{REGA}	V_{REG}	-0.3 to +3.0	V	(3)
3	SCLK, \overline{CS} , MOSI, $V_{PP}/TEST$	V_{IN}	-0.3 to $V_{CC} + 0.3$	V	(3)
4	ARM_X, ARM_Y	V_{IN}	-0.3 to $V_{CC} + 0.3$	V	(3)
5	MISO (high impedance state)	V_{IN}	-0.3 to $V_{CC} + 0.3$	V	(3)
6	Acceleration without hitting internal g -cell stops	g_{gcell_Clip}	± 500	g	(3, 18)
7	Acceleration without saturation of internal circuitry	g_{ADC_Clip}	± 375	g	(3)
8	Powered Shock (six sides, 0.5 ms duration)	g_{pms}	± 1500	g	(5, 18)
9	Unpowered Shock (six sides, 0.5 ms duration)	g_{shock}	± 2000	g	(5, 18)
10	Drop Shock (to concrete surface)	h_{DROP}	1.2	m	(5)
11	Electrostatic Discharge Human Body Model (HBM)	V_{ESD}	± 2000	V	(5)
12	Charge Device Model (CDM)	V_{ESD}	± 750	V	(5)
13	Machine Model (MM)	V_{ESD}	± 200	V	(5)
14	Storage Temperature Range	T_{stg}	-40 to +125	$^{\circ}C$	(5)
15	Thermal Resistance - Junction to Case	θ_{JC}	2.5	$^{\circ}C/W$	(14)

3.2 Operating Range

The operating ratings are the limits normally expected in the application and define the range of operation.

#	Characteristic	Symbol	Min	Typ	Max	Units	
16	Supply Voltage	V_{CC}	V_L	V_{TYP}	V_H	V	(15)
17	Standard Operating Voltage, 3.3 V		+3.135	+3.3	+5.25		
	Standard Operating Voltage, 5.0 V		—	+5.0	—	V	(15)
18	Operating Ambient Temperature Range Verified by 100 % Final Test	T_A	T_L	—	T_H	C	(1)
19	Power-on Ramp Rate (V_{CC})	V_{CC_r}	0.000033	—	3300	V/ μs	(19)

3.3 Electrical Characteristics - Power Supply and I/O

$V_L \leq (V_{CC} - V_{SS}) \leq V_H$, $T_L \leq T_A \leq T_H$, $|\Delta T_A| < 25$ K/min unless otherwise specified

#	Characteristic	Symbol	Min	Typ	Max	Units	
20	Supply Current (4)	I_{DD}	4.0	—	9.0	mA	(1)
21	Power Supply Monitor Thresholds (See Figure 9) V_{CC} Undervoltage (Falling) (4)	$V_{CC_UV_f}$	2.74	—	3.02	V	(3, 6)
22	V_{REG} Undervoltage (Falling) (4)	$V_{REG_UV_f}$	2.10	—	2.25	V	(3, 6)
23	V_{REG} Overvoltage (Rising) (4)	$V_{REG_OV_r}$	2.65	—	2.85	V	(3, 6)
24	V_{REGA} Undervoltage (Falling) (4)	$V_{REGA_UV_f}$	2.20	—	2.35	V	(3, 6)
25	V_{REGA} Overvoltage (Rising) (4)	$V_{REGA_OV_r}$	2.65	—	2.85	V	(3, 6)
26	Power Supply Monitor Hysteresis V_{CC} Undervoltage (Falling)	V_{HYST}	65	100	110	mV	(3)
27	V_{REG} Undervoltage, V_{REG} Overvoltage	V_{HYST}	20	100	210	mV	(3)
28	V_{REGA} Undervoltage, V_{REGA} Overvoltage	V_{HYST}	20	100	150	mV	(3)
29	Power Supply RESET Thresholds (See Figure 6, and Figure 9) V_{REG} Undervoltage RESET (Falling) (4)	$V_{REG_UVR_f}$	1.764	—	2.024	V	(3, 6)
30	V_{REG} Undervoltage RESET (Rising) (4)	$V_{REG_UVR_r}$	1.876	—	2.152	V	(3, 6)
31	V_{REG} RESET Hysteresis	V_{HYST}	80	—	140	mV	(3)
32	Internally Regulated Voltages V_{REG} (4)	V_{REG}	2.42	2.50	2.58	V	(1, 3)
33	V_{REGA} (4)	V_{REGA}	2.42	2.50	2.58	V	(1, 3)
34	External Filter Capacitor (C_{REG} , C_{REGA}) Value	C_{REG}	700	1000	1500	nF	(19)
35	ESR (including interconnect resistance)	ESR	—	—	400	mΩ	(19)
36	Power Supply Coupling 50 kHz $\leq f_n \leq$ 300 kHz		—	—	0.004	LSB/mv	(19)
37	4 MHz $\leq f_n \leq$ 100 MHz		—	—	0.004	LSB/mv	(19)
38	Output High Voltage (MISO, PCM_X, PCM_Y) 3.15 V $\leq (V_{CC} - V_{SS}) \leq$ 3.45 V ($I_{Load} = -1$ mA) (4)	V_{OH_3}	$V_{CC} - 0.2$	—	—	V	(2, 3)
39	4.75 V $\leq (V_{CC} - V_{SS}) \leq$ 5.25 V ($I_{Load} = -1$ mA) (4)	V_{OH_5}	$V_{CC} - 0.4$	—	—	V	(2, 3)
40	Output Low Voltage (MISO, PCM_X, PCM_Y) 3.15 V $\leq (V_{CC} - V_{SS}) \leq$ 3.45 V ($I_{Load} = 1$ mA) (4)	V_{OL_3}	—	—	0.2	V	(2, 3)
41	4.75 V $\leq (V_{CC} - V_{SS}) \leq$ 5.25 V ($I_{Load} = 1$ mA) (4)	V_{OL_5}	—	—	0.4	V	(2, 3)
42	Open Drain Output High Voltage (ARM_X, ARM_Y) 3.15 V $\leq (V_{CC} - V_{SS}) \leq$ 3.45 V ($I_{ARM} = -1$ mA) (4)	V_{ODH_3}	$V_{CC} - 0.2$	—	—	V	(2, 3)
43	4.75 V $\leq (V_{CC} - V_{SS}) \leq$ 5.25 V ($I_{ARM} = -1$ mA) (4)	V_{ODH_5}	$V_{CC} - 0.4$	—	—	V	(2, 3)
44	Open Drain Output Pulldown Current (ARM_X, ARM_Y) 3.15 V $\leq (V_{CC} - V_{SS}) \leq$ 3.45 V ($V_{ARM} = 1.5$ V) (4)	I_{ODPD_3}	50	—	100	μA	(2, 3)
45	4.75 V $\leq (V_{CC} - V_{SS}) \leq$ 5.25 V ($V_{ARM} = 1.5$ V) (4)	I_{ODPD_5}	50	—	100	μA	(2, 3)
46	Open Drain Output Low Voltage (ARM_X, ARM_Y) 3.15 V $\leq (V_{CC} - V_{SS}) \leq$ 3.45 V ($I_{ARM} = 1$ mA) (4)	V_{ODL_3}	—	—	0.2	V	(2, 3)
47	4.75 V $\leq (V_{CC} - V_{SS}) \leq$ 5.25 V ($I_{ARM} = 1$ mA) (4)	V_{ODL_5}	—	—	0.4	V	(2, 3)
48	Open Drain Output Pullup Current (ARM_X, ARM_Y) 3.15 V $\leq (V_{CC} - V_{SS}) \leq$ 3.45 V ($V_{ARM} = 1.5$ V) (4)	I_{ODPU_3}	-100	—	-50	μA	(2, 3)
49	4.75 V $\leq (V_{CC} - V_{SS}) \leq$ 5.25 V ($V_{ARM} = 1.5$ V) (4)	I_{ODPU_5}	-100	—	-50	μA	(2, 3)
50	Input High Voltage \overline{CS} , SCLK, MOSI (4)	V_{IH}	2.0	—	—	V	(3, 6)
51	Input Low Voltage \overline{CS} , SCLK, MOSI (4)	V_{IL}	—	—	1.0	V	(3, 6)
52	Input Voltage Hysteresis \overline{CS} , SCLK (4)	V_{I_HYST}	0.125	—	0.500	V	(19)
53	Input Current High (at V_{IH}) (SCLK, MOSI) (4)	I_{IH}	-260	-50	-30	μA	(2, 3)
54	Low (at V_{IL}) (\overline{CS}) (4)	I_{IL}	30	50	260	μA	(2, 3)

3.4 Electrical Characteristics - Sensor and Signal Chain

$V_L \leq (V_{CC} - V_{SS}) \leq V_H$, $T_L \leq T_A \leq T_H$, $|\Delta T_A| < 25$ K/min unless otherwise specified

#	Characteristic	Symbol	Min	Typ	Max	Units	
55	X-axis Digital Sensitivity (SPI, 10-bit Output) 50 g (MMA6813)	(4) SENS	—	9.766	—	LSB/g	(1, 9)
56	60 g (MMA6811, MMA6826)	(4) SENS	—	8.192	—	LSB/g	(1, 9)
57	100 g (MMA6825)	(4) SENS	—	4.883	—	LSB/g	(1, 9)
58	120 g (MMA6821, MMA6823)	(4) SENS	—	4.096	—	LSB/g	(1, 9)
59	Y-axis Digital Sensitivity (SPI, 10-bit Output) 25 g (MMA6811, MMA6821)	(4) SENS	—	20.479	—	LSB/g	(1, 9)
60	50 g (MMA6813QR)	(4) SENS	—	9.766	—	LSB/g	(1, 9)
61	60 g (MMA6823, MMA6826)	(4) SENS	—	8.192	—	LSB/g	(1, 9)
62	100 g (MMA6825)	(4) SENS	—	4.883	—	LSB/g	(1, 9)
63	Sensitivity Error $T_A = 25$ °C	(4) Δ SENS	-4	—	+4	%	(1)
64	-40 °C $\leq T_A \leq 105$ °C	(4) Δ SENS	-5	—	+5	%	(1)
65	-40 °C $\leq T_A \leq 105$ °C, $V_{CC_UV_f} \leq V_{CC} - V_{SS} \leq V_L$	(4) Δ SENS	-5	—	+5	%	(3)
66	Offset at 0 g (No Offset Cancellation) 10-bits, unsigned	(4) OFFSET	452	512	572	LSB	(1)
67	10-bits, signed	(4) OFFSET	-60	0	+60	LSB	(1)
68	10-bits, unsigned, $V_{CC_UV_f} \leq V_{CC} - V_{SS} \leq V_L$	(4) OFFSET	452	512	572	LSB	(3)
69	10-bits, signed, $V_{CC_UV_f} \leq V_{CC} - V_{SS} \leq V_L$	(4) OFFSET	-60	0	+60	LSB	(3)
70	Offset Monitor Thresholds Positive Threshold (10-bits, unsigned)	OFFTHR _{POS}	—	612	—	LSB	(7)
71	Negative Threshold (10-bits, unsigned)	OFFTHR _{NEG}	—	412	—	LSB	(7)
72	Range of Output (SPI, 10-bits unsigned) Normal	RANGE	32	—	992	LSB	(7)
73	Fault Response Code	FAULT	—	0	—	LSB	(7)
74	Unused Codes	UNUSED	1	—	31	LSB	(7)
75	Unused Codes	UNUSED	993	—	1023	LSB	(7)
76	Range of Output (SPI, 10-bits, signed) Normal	RANGE	-480	—	480	LSB	(7)
77	Fault Response Code	FAULT	—	-512	—	LSB	(7)
78	Unused Codes	UNUSED	-511	—	-481	LSB	(7)
79	Unused Codes	UNUSED	481	—	511	LSB	(7)
80	Nonlinearity	NL _{OUT}	-1	—	1	% FSR	(3)
81	System Output Noise RMS (10-bit, All Ranges, 400 Hz, 4-pole LPF)	n_{RMS}	—	—	0.5	LSB	(3)
82	Peak to Peak (10-bit, All Ranges, 400 Hz, 4-pole LPF)	n_{P-P}	—	—	1.0	LSB	(3)
83	Cross-axis Sensitivity V_{ZX}	(4) V_{ZX}	-4	—	+4	%	(3)
84	V_{YX}	(4) V_{YX}	-4	—	+4	%	(3)
85	V_{ZY}	(4) V_{ZY}	-4	—	+4	%	(3)
86	V_{XY}	(4) V_{XY}	-4	—	+4	%	(3)
87	Self-test Output Change (Ref Section 4.6) STMAG_X, STMAG_Y = 0, $T_A = 25$ °C	ΔST_{Low25}	ΔST_{MIN} 11.25	ΔST_{NOM} 15	ΔST_{MAX} 18.75	g	(1)
88	STMAG_X, STMAG_Y = 0, -40 °C $\leq T_A \leq 105$ °C	(4) ΔST_{Low}	10.68	15	19.69	g	(1)
89	STMAG_X, STMAG_Y = 1, $T_A = 25$ °C	(4) ΔST_{Hi25}	22.5	30	37.5	g	(1)
90	STMAG_X, STMAG_Y = 1, -40 °C $\leq T_A \leq 105$ °C	(4) ΔST_{Hi}	21.37	30	39.38	g	(1)
91	STMAG_X, STMAG_Y = 0, -40 °C $\leq T_A \leq 105$ °C	(4) ΔST_{Low}	10.68	15	19.69	g	(3)
92	$V_{CC_UV_f} \leq V_{CC} - V_{SS} \leq V_L$ STMAG_X, STMAG_Y = 1, -40 °C $\leq T_A \leq 105$ °C $V_{CC_UV_f} \leq V_{CC} - V_{SS} \leq V_L$	ΔST_{Hi}	21.37	30	39.38	g	(3)
93	Self-test Cross Axis Output Y-axis Output with X-axis Self-test	$\Delta ST_{CrossAxis}$	-10	—	+10	LSB	(1)
94	X-axis Output with Y-axis Self-test	$\Delta ST_{CrossAxis}$	-10	—	+10	LSB	(1)
95	Acceleration (without hitting internal g-cell stops) X/Y-axis, Any Range Positive/Negative	g_{g-cell_Clip}	500	560	600	g	(19)

3.5 Dynamic Electrical Characteristics - Signal Chain

$V_L \leq (V_{CC} - V_{SS}) \leq V_H$, $T_L \leq T_A \leq T_H$, $|\Delta T_A| < 25$ K/min unless otherwise specified

#	Characteristic	Symbol	Min	Typ	Max	Units	
96	DSP Sample Rate (LPF 0, 1, 2, 3, 4, 5)	t_s	—	$64/f_{OSC}$	—	s	(7)
97	DSP Sample Rate (LPF 8, 9, 10, 11, 12, 13)	t_s	—	$128/f_{OSC}$	—	s	(7)
98	Interpolation Sample Rate	t_{INTERP}	—	$t_s/2$	—	s	(7)
99	Datapath Latency (excluding g-cell and Low Pass Filter)						
100	$T_S = 64/f_{OSC}$ $T_S = 128/f_{OSC}$	$t_{DataPath_8}$ $t_{DataPath_16}$	33.0 51.9	34.8 54.6	36.5 57.4	μs μs	(7, 16) (7, 16)
101	Low-Pass Filter ($t_s = 8\mu s$) Cutoff frequency 0: 100 Hz, 4-pole	$f_{C0(LPF)}$	95	100	105	Hz	(3, 7, 17)
102	Cutoff frequency 1: 300 Hz, 4-pole	$f_{C1(LPF)}$	285	300	315	Hz	(7, 17)
103	Cutoff frequency 2: 400 Hz, 4-pole	$f_{C2(LPF)}$	380	400	420	Hz	(7, 17)
104	Cutoff frequency 3: 800 Hz, 4-pole	$f_{C3(LPF)}$	760	800	840	Hz	(7, 17)
105	Cutoff frequency 4: 1000 Hz, 4-pole	$f_{C4(LPF)}$	950	1000	1050	Hz	(7, 17)
106	Cutoff frequency 5: 400 Hz, 3-pole	$f_{C5(LPF)}$	380	400	420	Hz	(7, 17)
107	Low-Pass Filter ($t_s = 16\mu s$) Cutoff frequency 8: 50 Hz, 4-pole	$f_{C8(LPF)}$	47.5	50	52.5	Hz	(7, 17)
108	Cutoff frequency 9: 150 Hz, 4-pole	$f_{C9(LPF)}$	142.5	150	157.5	Hz	(7, 17)
109	Cutoff frequency 10: 200 Hz, 4-pole	$f_{C10(LPF)}$	190	200	210	Hz	(7, 17)
110	Cutoff frequency 11: 400 Hz, 4-pole	$f_{C11(LPF)}$	380	400	420	Hz	(7, 17)
111	Cutoff frequency 12: 500 Hz, 4-pole	$f_{C12(LPF)}$	475	500	525	Hz	(7, 17)
112	Cutoff frequency 13: 200 Hz, 3-pole	$f_{C13(LPF)}$	190	200	210	Hz	(7, 17)
113	Offset Cancellation (Normal Mode, 10-bit Output) Offset Averaging Period	OFF_{AVEPER}	—	6.291456	—	s	(7)
114	Offset Slew Rate	OFF_{SLEW}	—	0.2384	—	LSB/s	(7)
115	Offset Update Rate	OFF_{RATE}	—	1049	—	ms	(7)
116	Offset Correction Value per Update Positive	OFF_{CORRP}	—	0.25	—	LSB	(7)
117	Offset Correction Value per Update Negative	OFF_{CORRN}	—	-0.25	—	LSB	(7)
118	Offset Correction Threshold Positive	OFF_{THP}	—	0.125	—	LSB	(7)
119	Offset Correction Threshold Negative	OFF_{THN}	—	0.125	—	LSB	(7)
120	Offset Monitor Bypass Time after Self-test Deactivation	t_{ST_OMB}	—	320	—	t_s	(3, 7)
121	Time Between Acceleration Data Requests (Same Axis)	t_{ACC_REQ}	15	—	—	μs	(3, 7, 20)
122	Arming Output Activation Time (ARM_X, ARM_Y, $I_{ARM} = 200 \mu A$) Moving Average and Count Arming Modes (2, 3, 4, 5)	t_{ARM}	0	—	1.05	μs	(3, 12)
123	Unfiltered Mode Activation Delay (Reference Figure 28)	$t_{ARM_UF_DLY}$	0	—	1.05	μs	(3, 12)
124	Unfiltered Mode Arm Assertion Time (Reference Figure 28)	$t_{ARM_UF_ASSERT}$	5.00	—	6.579	μs	(3)
125	Sensing Element Natural Frequency ($-40 \text{ }^\circ\text{C} \leq T_A \leq 105 \text{ }^\circ\text{C}$)	f_{gcell}	10791	—	15879	Hz	(19)
126	Sensing Element Cutoff Frequency (-3 dB ref. to 0 Hz, $-40 \text{ }^\circ\text{C} \leq T_A \leq 105 \text{ }^\circ\text{C}$)	f_{gcell}	0.851	—	2.29	kHz	(19)
127	Sensing Element Damping Ratio ($-40 \text{ }^\circ\text{C} \leq T_A \leq 105 \text{ }^\circ\text{C}$)	ζ_{gcell}	2.46	—	9.36	—	(19)
128	Sensing Element Delay (@ 100 Hz, $-40 \text{ }^\circ\text{C} \leq T_A \leq 105 \text{ }^\circ\text{C}$)	f_{gcell_delay}	70	—	187	μs	(19)
129	Package Resonance Frequency	$f_{Package}$	100	—	—	kHz	(19)
130	Package Quality Factor	$q_{Package}$	1	—	5	—	(19)

3.6 Dynamic Electrical Characteristics - Supply and SPI

$V_L \leq (V_{CC} - V_{SS}) \leq V_H$, $T_L \leq T_A \leq T_H$, $|\Delta T_A| < 25$ K/min unless otherwise specified

#	Characteristic	Symbol	Min	Typ	Max	Units	
131	Power-On Recovery Time($V_{CC} = V_{CCMIN}$ to first SPI access)	t_{OP}	—	—	10	ms	(3)
132	Power-On Recovery Time(Internal POR to first SPI access)	t_{OP}	—	—	840	μ s	(3, 7)
133	Internal Oscillator Frequency (4)	f_{OSC}	7.6	8	8.4	MHz	(7)
134	Test Frequency - Divided from Internal Oscillator	f_{OSCTST}	0.95	1	1.05	MHz	(1)
Serial Interface Timing (See Figure 7, $C_{MISO} \leq 80$ pF, $R_{MISO} \geq 10$ k Ω)							
135	Clock (SCLK) period (10 % of V_{CC} to 10 % of V_{CC}) (4)	t_{SCLK}	120	—	—	ns	(3)
136	Clock (SCLK) high time (90 % of V_{CC} to 90 % of V_{CC}) (4)	t_{SCLKH}	40	—	—	ns	(3)
137	Clock (SCLK) low time (10 % of V_{CC} to 10 % of V_{CC}) (4)	t_{SCLKL}	40	—	—	ns	(3)
138	Clock (SCLK) rise time (10 % of V_{CC} to 90 % of V_{CC})	t_{SCLKR}	—	15	40	ns	(19)
139	Clock (SCLK) fall time (90 % of V_{CC} to 10 % of V_{CC})	t_{SCLKF}	—	15	28	ns	(19)
140	\overline{CS} asserted to SCLK high ($\overline{CS} = 10$ % of V_{CC} to SCLK = 10 % of V_{CC}) (4)	t_{LEAD}	60	—	—	ns	(3)
141	\overline{CS} asserted to MISO valid ($\overline{CS} = 10$ % of V_{CC} to MISO = 10/90 % of V_{CC}) (4)	t_{ACCESS}	—	—	60	ns	(3)
142	Data setup time (MOSI = 10/90 % of V_{CC} to SCLK = 10 % of V_{CC}) (4)	t_{SETUP}	20	—	—	ns	(3)
143	MOSI Data hold time (SCLK = 90 % of V_{CC} to MOSI = 10/90 % of V_{CC}) (4)	t_{HOLD_IN}	10	—	—	ns	(3)
144	MISO Data hold time (SCLK = 90 % of V_{CC} to MISO = 10/90 % of V_{CC}) (4)	t_{HOLD_OUT}	0	—	—	ns	(3)
145	SCLK low to data valid (SCLK = 10 % of V_{CC} to MISO = 10/90 % of V_{CC}) (4)	t_{VALID}	—	—	40	ns	(3)
146	SCLK low to \overline{CS} high (SCLK = 10 % of V_{CC} to $\overline{CS} = 90$ % of V_{CC}) (4)	t_{LAG}	60	—	—	ns	(3)
147	\overline{CS} high to MISO disable ($\overline{CS} = 90$ % of V_{CC} to MISO = Hi Z) (4)	$t_{DISABLE}$	—	—	60	ns	(3)
148	\overline{CS} high to \overline{CS} low ($\overline{CS} = 90$ % of V_{CC} to $\overline{CS} = 90$ % of V_{CC}) (4)	t_{CSN}	526	—	—	ns	(3)
149	SCLK low to \overline{CS} low (SCLK = 10 % of V_{CC} to $\overline{CS} = 90$ % of V_{CC}) (4)	t_{CLKCS}	60	—	—	ns	(3)
150	\overline{CS} high to SCLK high ($\overline{CS} = 90$ % of V_{CC} to SCLK = 90 % of V_{CC})	t_{CSCLK}	60	—	—	ns	(19)

- Parameters tested 100 % at final test.
- Parameters tested 100 % at wafer probe.
- Parameters verified by characterization.
- Indicates a critical characteristic.
- Verified by qualification testing.
- Parameters verified by pass/fail testing in production.
- Functionality guaranteed by modeling, simulation and/or design verification. Circuit integrity assured through IDDQ and scan testing. Timing is determined by internal system clock frequency.
- N/A.
- Devices are trimmed at 100 Hz with 1000 Hz low-pass filter option selected. Response is corrected to 0 Hz response.
- Low-pass filter cutoff frequencies shown are -3dB referenced to 0 Hz response.
- Power supply ripple at frequencies greater than 900 kHz should be minimized to the greatest extent possible.
- Time from falling edge of \overline{CS} to ARM_X, ARM_Y output valid.
- N/A.
- Thermal resistance between the die junction and the exposed pad; cold plate is attached to the exposed pad.
- Device characterized at all values of V_L and V_H . Production test is conducted at all typical voltages (V_{TYP}) unless otherwise noted.
- Data path Latency is the signal latency from g-cell to SPI output disregarding filter group delays.
- Filter characteristics are specified independently, and do not include g-cell frequency response.
- Electrostatic Deflection Test completed during wafer probe.
- Verified by simulation.
- Acceleration Data Request timing constraint only applies for proper operation of the Arming Function.

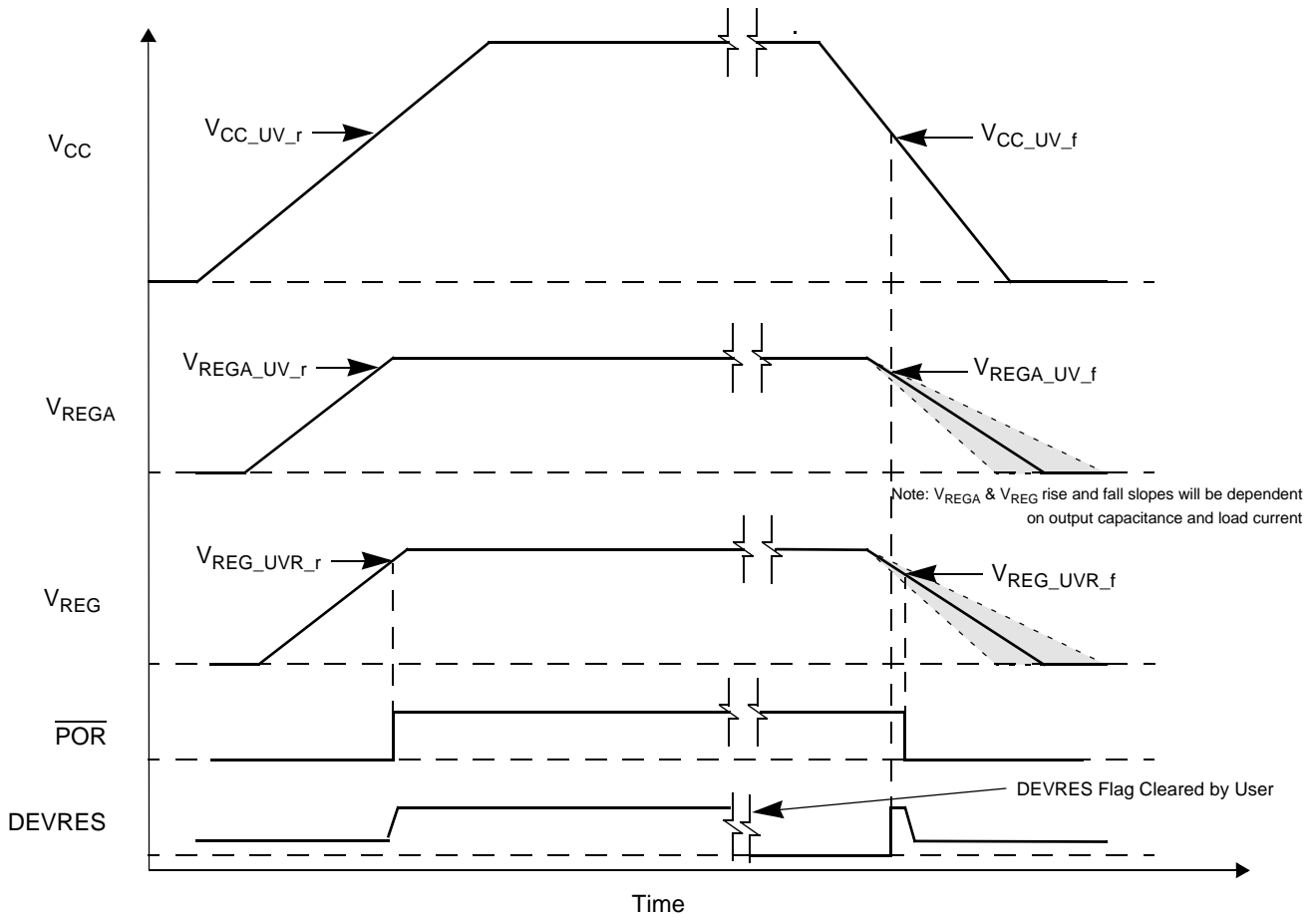


Figure 6. Powerup Timing

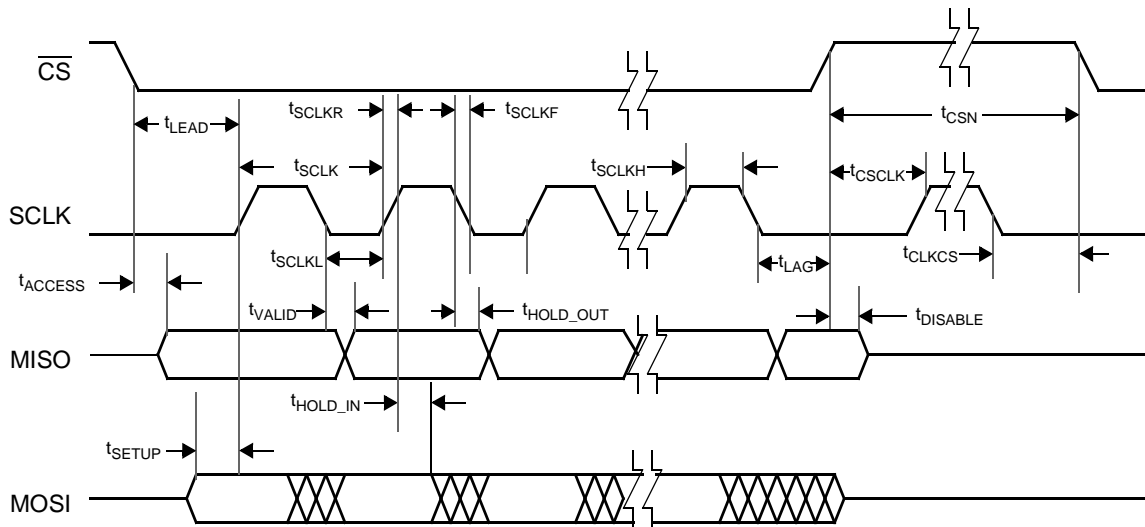


Figure 7. Serial Interface Timing

4 Functional Description

4.1 Customer Accessible Data Array

A customer accessible data array allows for each device to be customized. The array consists of an OTP factory programmable block and read/write registers for device programmability and status. The OTP and writable register blocks incorporate independent CRC circuitry for fault detection (reference [Section 4.2](#)). The writable register block includes a locking mechanism to prevent unintended changes during normal operation. Portions of the array are reserved for factory-programmed trim values. The customer accessible data is shown in [Table 3](#).

Table 3. Customer Accessible Data

Location		Bit Function								Type
Addr	Register	7	6	5	4	3	2	1	0	
\$00	SN0	SN[7]	SN[6]	SN[5]	SN[4]	SN[3]	SN[2]	SN[1]	SN[0]	F
\$01	SN1	SN[15]	SN[14]	SN[13]	SN[12]	SN[11]	SN[10]	SN[9]	SN[8]	
\$02	SN2	SN[23]	SN[22]	SN[21]	SN[20]	SN[19]	SN[18]	SN[17]	SN[16]	
\$03	SN3	SN[31]	SN[30]	SN[29]	SN[28]	SN[27]	SN[26]	SN[25]	SN[24]	
\$04	Reserved	Reserved	Reserved	Reserved	Reserved	Reserved	Reserved	Reserved	Reserved	
\$05	Reserved	Reserved	Reserved	Reserved	Reserved	Reserved	Reserved	Reserved	Reserved	
\$06	FCTCFG_X	STMAG_X	0	0	0	0	0	0	1	
\$07	FCTCFG_Y	STMAG_Y	0	0	0	0	0	0	1	
\$08	PN	PN[7]	PN[6]	PN[5]	PN[4]	PN[3]	PN[2]	PN[1]	PN[0]	
\$09	Invalid Address: "Invalid Register Request"									
\$0A	DEVCTL	RES_1	RES_0	Reserved	Reserved	Reserved	Reserved	Reserved	Reserved	R/W
\$0B	DEVCFG	Reserved	Reserved	ENDINIT	SD	OFMON	A_CFG[2]	A_CFG[1]	A_CFG[0]	
\$0C	DEVCFG_X	ST_X	Reserved	Reserved	Reserved	LPF_X[3]	LPF_X[2]	LPF_X[1]	LPF_X[0]	
\$0D	DEVCFG_Y	ST_Y	Reserved	Reserved	Reserved	LPF_Y[3]	LPF_Y[2]	LPF_Y[1]	LPF_Y[0]	
\$0E	ARMCFGX	Reserved	Reserved	APS_X[1]	APS_X[0]	AWS_XN[1]	AWS_XN[0]	AWS_XP[1]	AWS_XP[0]	
\$0F	ARMCFGY	Reserved	Reserved	APS_Y[1]	APS_Y[0]	AWS_YN[1]	AWS_YN[0]	AWS_YP[1]	AWS_YP[0]	
\$10	ARMT_XP	AT_XP[7]	AT_XP[6]	AT_XP[5]	AT_XP[4]	AT_XP[3]	AT_XP[2]	AT_XP[1]	AT_XP[0]	
\$11	ARMT_YP	AT_YP[7]	AT_YP[6]	AT_YP[5]	AT_YP[4]	AT_YP[3]	AT_YP[2]	AT_YP[1]	AT_YP[0]	
\$12	ARMT_XN	AT_XN[7]	AT_XN[6]	AT_XN[5]	AT_XN[4]	AT_XN[3]	AT_XN[2]	AT_XN[1]	AT_XN[0]	
\$13	ARMT_YN	AT_YN[7]	AT_YN[6]	AT_YN[5]	AT_YN[4]	AT_YN[3]	AT_YN[2]	AT_YN[1]	AT_YN[0]	
\$14	DEVSTAT	UNUSED	IDE	SDOV	DEVINIT	MISOERR	OFF_Y	OFF_X	DEVRES	R
\$15	COUNT	COUNT[7]	COUNT[6]	COUNT[5]	COUNT[4]	COUNT[3]	COUNT[2]	COUNT[1]	COUNT[0]	
\$16	OFFCORR_X	OFFCORR_X[7]	OFFCORR_X[6]	OFFCORR_X[5]	OFFCORR_X[4]	OFFCORR_X[3]	OFFCORR_X[2]	OFFCORR_X[1]	OFFCORR_X[0]	
\$17	OFF_CORR_Y	OFFCORR_Y[7]	OFFCORR_Y[6]	OFFCORR_Y[5]	OFFCORR_Y[4]	OFFCORR_Y[3]	OFFCORR_Y[2]	OFFCORR_Y[1]	OFFCORR_Y[0]	
\$1C	Reserved	Reserved	Reserved	Reserved	Reserved	Reserved	Reserved	Reserved	Reserved	
\$1D	Reserved	Reserved	Reserved	Reserved	Reserved	Reserved	Reserved	Reserved	Reserved	

Type Codes:

F: Factory programmed OTP location

R/W: Read/Write register

R: Read-only register

N/A: Not applicable

4.1.1 Device Serial Number Registers

A unique serial number is programmed into the serial number registers of each MMA68xx device during manufacturing. The serial number is composed of the following information:

Bit Range	Content
S12 to S0	Serial Number
S31 to S13	Lot Number

Serial numbers begin at 1 for all produced devices in each lot, and are sequentially assigned. Lot numbers begin at 1 and are sequentially assigned. No lot will contain more devices than can be uniquely identified by the 13-bit serial number. Depending on lot size and quantities, all possible lot numbers and serial numbers may not be assigned.

The serial number registers are included in the OTP shadow register array CRC verification. Reference [Section 4.2.1](#) for details regarding the CRC verification. Beyond this, the contents of the serial number registers have no impact on device operation or performance, and are only used for traceability purposes.

4.1.2 Reserved Registers

These reserved registers are read-only and have no impact on device operation or performance.

Table 4. Reserved Registers

Location		Bit							
Address	Register	7	6	5	4	3	2	1	0
\$04	Reserved	Reserved	Reserved	Reserved	Reserved	Reserved	Reserved	Reserved	Reserved
\$05	Reserved	Reserved	Reserved	Reserved	Reserved	Reserved	Reserved	Reserved	Reserved

4.1.3 Factory Configuration Registers

The factory configuration registers are one time programmable, read only registers which contain customer specific device configuration information that is programmed by NXP.

Table 5. Factory Configuration Registers

Location		Bit							
Address	Register	7	6	5	4	3	2	1	0
\$06	FCTCFG_X	STMAG_X	0	0	0	0	0	0	1
\$07	FCTCFG_Y	STMAG_Y	0	0	0	0	0	0	1

4.1.3.1 Self-test Magnitude Selection Bits (STMAG_Y, STMAG_X)

The self-test magnitude selection bits indicate if the nominal self-test deflection value is set to the low or high value as shown in the table below. The Self-test Magnitude is selected independently for each axis.

STMAG_X / STMAG_Y	Full-Scale Acceleration Range	Nominal Self-test Deflection Value (Reference Section 3.4)
0	$\mathfrak{R} \leq 60 \text{ g}$	$\Delta\text{ST}_{\text{Low}}$
1	$> 60 \text{ g}$	$\Delta\text{ST}_{\text{Hi}}$

4.1.4 Part Number Register (PN)

The part number register is a one time programmable, read only register which contains two digits of the device part number to identify the axis and range information. The contents of this register have no impact on device operation or performance.

Table 6. Part Number Register

Location		Bit							
Address	Register	7	6	5	4	3	2	1	0
\$08	PN	PN[7]	PN[6]	PN[5]	PN[4]	PN[3]	PN[2]	PN[1]	PN[0]

PN Register Value		X-axis Range Reference Section 3.4	Y-axis Range Reference Section 3.4
Decimal	HEX		
1	\$01	20	20
2	\$02	20	35
3	\$03	20	50
4	\$04	20	75
5	\$05	25	120
6	\$06	35	20
7	\$07	35	35
8	\$08	35	50
9	\$09	35	75
10	\$0A	35	100
11	\$0B	60	25
12	\$0C	50	35
13	\$0D	50	50
14	\$0E	50	75
15	\$0F	50	100
16	\$10	75	20
17	\$11	75	35
18	\$12	75	50
19	\$13	75	75
20	\$14	75	100
21	\$15	120	25
22	\$16	100	35
23	\$17	120	60
24	\$18	100	75
25	\$19	100	100
26	\$1A	60	60
27	\$1B	120	120
28	\$1C	60	120

4.1.5 Device Control Register (DEVCTL)

The device control register is a read-write register which contains device control operations that can be applied during both initialization and normal operation.

Table 7. Device Control Register

Location		Bit							
Address	Register	7	6	5	4	3	2	1	0
\$0A	DEVCTL	RES_1	RES_0	Reserved	Reserved	Reserved	Reserved	Reserved	Reserved
Reset Value		0	0	0	0	0	0	0	0

4.1.5.1 Reset Control (RES_1, RES_0)

A series of three consecutive register write operations to the reset control bits in the DEVCTL register will cause a device reset. To reset the internal digital circuitry, the following register write operations must be performed in the order shown below. The register write operations must be consecutive SPI commands in the order shown or the device will not be reset.

Register Write to DEVCTL	RES_1	RES_0	Effect
SPI Register Write 1	0	0	No Effect
SPI Register Write 2	1	1	No Effect
SPI Register Write 3	0	1	Device RESET

The response to the Register Write returns '0' for RES_1 and RES_0. A Register Read of RES_1 and RES_0 returns '0' and terminates the reset sequence.

4.1.5.2 Reserved Bits (DEVCTL[5:0])

Bits 5 through 0 of the DEVCTL register are reserved. A write to the reserved bits must always be logic '0' for normal device operation and performance.

4.1.6 Device Configuration Register (DEVCFG)

The device configuration register is a read/write register which contains data for general device configuration. The register can be written during initialization but is locked once the ENDINIT bit is set. This register is included in the writable register CRC check. Refer to [Section 4.2.2](#) for details.

Table 8. Device Configuration Register

Location		Bit							
Address	Register	7	6	5	4	3	2	1	0
\$0B	DEVCFG	Reserved	Reserved	ENDINIT	\overline{SD}	OFMON	A_CFG[2]	A_CFG[1]	A_CFG[0]
Reset Value		0	0	0	0	0	0	0	0

4.1.6.1 Reserved Bits (Reserved)

Bits 6 and 7 of the DEVCFG register are reserved. A write to the reserved bits must always be logic '0' for normal device operation and performance.

4.1.6.2 End of Initialization Bit (ENDINIT)

The ENDINIT bit is a control bit used to indicate that the user has completed all device and system level initialization tests, and that MMA68xx will operate in normal mode. Once the ENDINIT bit is set, writes to all writable register bits are inhibited except for the DEVCTL register. Once written, the ENDINIT bit can only be cleared by a device reset. The writable register CRC check (reference [Section 4.2.2](#)) is only enabled when the ENDINIT bit is set.

4.1.6.3 $\overline{\text{SD}}$ Bit

The $\overline{\text{SD}}$ bit determines the format of acceleration data results. If the $\overline{\text{SD}}$ bit is set to a logic '1', unsigned results are transmitted, with the zero-g level represented by a nominal value of 512. If the $\overline{\text{SD}}$ bit is cleared, signed results are transmitted, with the zero-g level represented by a nominal value of 0.

$\overline{\text{SD}}$	Operating Mode
1	Unsigned Data Output
0	Signed Data Output

4.1.6.4 OFMON Bit

The OFMON bit determines if the offset monitor circuit is enabled. If the OFMON bit is set to a logic '1', the offset monitor is enabled. Refer to [Section 4.8.5](#) for more information. If the OFMON bit is cleared, the offset monitor is disabled.

OFMON	Operating Mode
1	Offset Monitor Circuit Enabled
0	Offset Monitor Circuit Disabled

4.1.6.5 ARM Configuration Bits (A_CFG[2:0])

The ARM Configuration Bits (A_CFG[2:0]) select the mode of operation for the ARM_X/PCM_X, ARM_Y/PCM_Y pins.

Table 9. Arming Output Configuration

A_CFG[2]	A_CFG[1]	A_CFG[0]	Operating Mode	Output Type	Reference
0	0	0	Arm Output Disabled	Hi Impedance	
0	0	1	PCM Output	Digital Output	Section 4.8.9.1
0	1	0	Moving Average Mode	Active High with Pulldown Current	Section 4.8.9.1
0	1	1	Moving Average Mode	Active Low with Pullup Current	Section 4.8.9.1
1	0	0	Count Mode	Active High with Pulldown Current	Section 4.8.9.2
1	0	1	Count Mode	Active Low with Pullup Current	Section 4.8.9.2
1	1	0	Unfiltered Mode	Active High with Pulldown Current	Section 4.8.9.3
1	1	1	Unfiltered Mode	Active Low with Pullup Current	Section 4.8.9.3

4.1.7 Axis Configuration Registers (DEVCFG_X, DEVCFG_Y)

The Axis configuration registers are read/write registers which contain axis specific configuration information. These registers can be written during initialization, but are locked once the ENDINIT bit is set. These registers are included in the writable register CRC check. Refer to [Section 4.2.2](#) for details.

Table 10. Axis Configuration Registers

Location		Bit							
Address	Register	7	6	5	4	3	2	1	0
\$0C	DEVCFG_X	ST_X	Reserved	Reserved	Reserved	LPF_X[3]	LPF_X[2]	LPF_X[1]	LPF_X[0]
\$0D	DEVCFG_Y	ST_Y	Reserved	Reserved	Reserved	LPF_Y[3]	LPF_Y[2]	LPF_Y[1]	LPF_Y[0]
Reset Value		0	0	0	0	0	0	0	0

4.1.7.1 Self-test Control (ST_X, ST_Y)

The ST_X and ST_Y bits enable and disable the self-test circuitry for their respective axes. Self-test circuitry is enabled if a logic '1' is written to ST_X, or ST_Y and the ENDINIT bit has not been set. Enabling the self-test circuitry results in a positive acceleration value on the enabled axis. Self-test deflection values are specified in [Section 3.4](#). ST_X and ST_Y are always cleared following internal reset.

When the self-test circuitry is active, the offset cancellation block and the offset monitor status are suspended, and the status bits in the Acceleration Data Request Response will indicate "Self-test Active". Reference [Section 4.8.4](#) and [Section 5.2](#) for details. When the self-test circuitry is disabled by clearing the ST_X or ST_Y bit, the offset monitor remains disabled until the time t_{ST_OMB} , specified in [Section 3.5](#), expires. However, the status bits in the Acceleration Data Request Response will immediately indicate that self-test has been deactivated.

4.1.7.2 Reserved Bits (Reserved)

Bits 6 through 4 of the DEVCFG_X and DEVCFG_Y registers are reserved. A write to the reserved bits must always be logic '0' for normal device operation and performance.

4.1.7.3 Low-Pass Filter Selection Bits (LPF_X[3:0], LPF_Y[3:0])

The Low Pass Filter selection bits independently select a low-pass filter for each axis as shown in [Table 11](#). Refer to [Section 4.8.3](#) for details regarding filter configurations.

Table 11. Low Pass Filter Selection Bits

LPF_X[3] / LPF_Y[3]	LPF_X[2] / LPF_Y[2]	LPF_X[1] / LPF_Y[1]	LPF_X[0] / LPF_Y[0]	Low Pass Filter Selected	Nominal Sample Rate (μ s)
0	0	0	0	100 Hz, 4 pole	8
0	0	0	1	300 Hz, 4 Pole	8
0	0	1	0	400 Hz, 4 Pole	8
0	0	1	1	800 Hz, 4 Pole	8
0	1	0	0	1000 Hz, 4 pole	8
0	1	0	1	400 Hz, 3 Pole	8
0	1	1	0	Reserved	Reserved
0	1	1	1	Reserved	Reserved
1	0	0	0	50 Hz, 4 pole	16
1	0	0	1	150 Hz, 4 Pole	16
1	0	1	0	200 Hz, 4 Pole	16
1	0	1	1	400 Hz, 4 Pole	16
1	1	0	0	500 Hz, 4 Pole	16
1	1	0	1	200 Hz, 3 Pole	16
1	1	1	0	Reserved	Reserved
1	1	1	1	Reserved	Reserved

Note: Filter characteristics do not include *g*-cell frequency response.

4.1.8 Arming Configuration Registers (ARMCFGX, ARMCFGY)

The arming configuration registers contain configuration information for the arming function. The values in these registers are only relevant if the arming function is operating in moving average mode, or count mode.

These registers can be written during initialization but are locked once the ENDINIT bit is set. Refer to [Section 4.1.6.2](#). These registers are included in the writable register CRC check. Refer to [Section 4.2.2](#) for details.

Table 12. Arming Configuration Register

Location		Bit							
Address	Register	7	6	5	4	3	2	1	0
\$0E	ARMCFGX	Reserved	Reserved	APS_X[1]	APS_X[0]	AWS_XN[1]	AWS_XN[0]	AWS_XP[1]	AWS_XP[0]
\$0F	ARMCFGY	Reserved	Reserved	APS_Y[1]	APS_Y[0]	AWS_YN[1]	AWS_YN[0]	AWS_YP[1]	AWS_YP[0]
Reset Value		0	0	0	0	1	1	1	1

4.1.8.1 Reserved Bits (Reserved)

Bits 7 through 6 of the ARMCFGX and ARMCFGY registers are reserved. A write to the reserved bits must always be logic '0' for normal device operation and performance.

4.1.8.2 Arming Pulse Stretch (APS_X[1:0], APS_Y[1:0])

The APS_X[1:0] and APS_Y[1:0] bits set the programmable pulse stretch time for the arming outputs. Refer to [Section 4.8.9](#) for more details regarding the arming function.

Table 13. Arming Pulse Stretch Definitions

APS_X[1], APS_Y[1]	APS_X[0], APS_Y[0]	Pulse Stretch Time ⁽¹⁾ (Typical Oscillator)
0	0	0 mS
0	1	16.256 ms to 16.384 ms
1	0	65.408 ms to 65.536 ms
1	1	261.888 ms to 262.016 ms

1. Pulse stretch times are derived from the internal oscillator, so the tolerance on this oscillator applies.

4.1.8.3 Arming Window Size (AWS_Xx[1:0], AWS_Yx[1:0])

The AWS_Xx[1:0] and AWS_Yx[1:0] bits have a different function depending on the state of the A_CFG bits in the DEVCFG register.

If the arming function is set to moving average mode, the AWS bits set the number of acceleration samples used for the arming function moving average. The number of samples is set independently for each axis and polarity. If the arming function is set to count mode, the AWS bits set the sample count limit for the arming function. The sample count limit is set independently for each axis.

Refer to [Section 4.8.9](#) for more details regarding the arming function.

Table 14. X-axis Positive Arming Window Size Definitions (Moving Average Mode)

AWS_XP[1]	AWS_XP[0]	X-axis Positive Window Size
0	0	2
0	1	4
1	0	8
1	1	16

Table 15. X-axis Negative Arming Window Size Definitions (Moving Average Mode)

AWS_XN[1]	AWS_XN[0]	X-axis Negative Window Size
0	0	2
0	1	4
1	0	8
1	1	16

Table 16. Y-axis Positive Arming Window Size Definitions (Moving Average Mode)

AWS_YP[1]	AWS_YP[0]	Y-axis Positive Window Size
0	0	2
0	1	4
1	0	8
1	1	16

Table 17. Y-axis Negative Arming Window Size Definitions (Moving Average Mode)

AWS_YN[1]	AWS_YN[0]	Y-axis Negative Window Size
0	0	2
0	1	4
1	0	8
1	1	16

Table 18. Arming Count Limit Definitions (Count Mode)

AWS_XN[1]	AWS_XN[0]	AWS_XP[1]	AWS_XP[0]	X-axis Sample Count Limit
Don't Care	Don't Care	0	0	1
Don't Care	Don't Care	0	1	3
Don't Care	Don't Care	1	0	7
Don't Care	Don't Care	1	1	15

Table 19. Arming Count Limit Definitions (Count Mode)

AWS_YN[1]	AWS_YN[0]	AWS_YP[1]	AWS_YP[0]	Y-axis Sample Count Limit
Don't Care	Don't Care	0	0	1
Don't Care	Don't Care	0	1	3
Don't Care	Don't Care	1	0	7
Don't Care	Don't Care	1	1	15

4.1.9 Arming Threshold Registers (ARMT_XP, ARMT_XN, ARMT_YP, ARMT_YN)

These registers contain the X-axis and Y-axis positive and negative thresholds to be used by the arming function. Refer to [Section 4.8.9](#) for more details regarding the arming function.

These registers can be written during initialization but are locked once the ENDINIT bit is set. Refer to [Section 4.1.6.2](#). These registers are included in the writable register CRC check. Refer to [Section 4.2.2](#) for details.

Table 20. Arming Threshold Registers

Location		Bit							
Address	Register	7	6	5	4	3	2	1	0
\$10	ARMT_XP	AT_XP[7]	AT_XP[6]	AT_XP[5]	AT_XP[4]	AT_XP[3]	AT_XP[2]	AT_XP[1]	AT_XP[0]
\$11	ARMT_YP	AT_YP[7]	AT_YP[6]	AT_YP[5]	AT_YP[4]	AT_YP[3]	AT_YP[2]	AT_YP[1]	AT_YP[0]
\$12	ARMT_XN	AT_XN[7]	AT_XN[6]	AT_XN[5]	AT_XN[4]	AT_XN[3]	AT_XN[2]	AT_XN[1]	AT_XN[0]
\$13	ARMT_YN	AT_YN[7]	AT_YN[6]	AT_YN[5]	AT_YN[4]	AT_YN[3]	AT_YN[2]	AT_YN[1]	AT_YN[0]
Reset Value		0	0	0	0	0	0	0	0

The values programmed into the threshold registers are the threshold values used for the arming function as described in [Section 4.8.9](#). The threshold registers hold independent unsigned 8-bit values for each axis and polarity. Each threshold increment is equivalent to one output LSB. [Table 21](#) shows examples of some threshold register values and the corresponding threshold.

Table 21. Threshold Register Value Examples

Axis Type		Programmed Thresholds			
Range (g)	Sensitivity (g/LSB)	Positive (Decimal)	Negative (Decimal)	Positive Threshold (g)	Negative Threshold (g)
20	0.04097	100	50	4.10	-2.05
20	0.04097	255	0	10.45	Disabled
50	0.1024	50	20	5.12	-2.05
120	0.24414	20	10	4.88	-2.44

If either the positive or negative threshold for one axis is programmed to \$00, comparisons are disabled for only that polarity. The arming function still operates for the opposite polarity. If both the positive and negative arming thresholds for one axis are programmed to \$00, the Arming function for the associated axis is disabled, and the associated output pin is disabled, regardless of the value of the A_CFG bits in the DEVCFG register.

4.1.10 Device Status Register (DEVSTAT)

The device status register is a read-only register. A read of this register clears the status flags affected by transient conditions. Reference [Section 5.5](#) for details on the MMA68xx response for each status condition.

Table 22. Device Status Register

Location		Bit							
Address	Register	7	6	5	4	3	2	1	0
\$14	DEVSTAT	UNUSED	IDE	SDOV	DEVINIT	MISOERR	OFF_Y	OFF_X	DEVRES

4.1.10.1 Unused Bit (UNUSED)

The unused bit has no impact on operation or performance. When read this bit may be '1' or '0'.

4.1.10.2 Internal Data Error Flag (IDE)

The internal data error flag is set if a customer or OTP register data CRC fault or other internal fault is detected as defined in [Section 5.5.5](#). The internal data error flag is cleared by a read of the DEVSTAT register. If the error is associated with a CRC fault in the writable register array, the fault will be re-asserted and will require a device reset to clear. If the error is associated with the data stored in the fuse array, the fault will be re-asserted even after a device reset.

4.1.10.3 Sigma Delta Modulator Over Range Flag (SDOV)

The sigma delta modulator over range flag is set if the sigma delta modulator for either axis becomes saturated. The SDOV flag is cleared by a read of the DEVSTAT register.

4.1.10.4 Device Initialization Flag (DEVINIT)

The device initialization flag is set during the interval between negation of internal reset and completion of internal device initialization. DEVINIT is cleared automatically. The device initialization flag is not affected by a read of the DEVSTAT register.

4.1.10.5 SPI MISO Data Mismatch Error Flag (MISOERR)

The MISO data mismatch flag is set when a MISO Data mismatch fault occurs as specified in [Section 5.5.2](#). The MISOERR flag is cleared by a read of the DEVSTAT register.

4.1.10.6 Offset Monitor Over Range Flags (OFF_X, OFFSET_Y)

The offset monitor over range flags are set if the acceleration signal of the associated axis reaches the specified offset limit. The offset monitor over range flags are cleared by a read of the DEVSTAT register.

4.1.10.7 Device Reset Flag (DEVRES)

The device reset flag is set during device initialization following a device reset. The device reset flag is cleared by a read of the DEVSTAT register.

4.1.11 Count Register (COUNT)

The count register is a read-only register which provides the current value of a free-running 8-bit counter derived from the primary oscillator. A 10-bit pre-scaler divides the primary oscillator frequency by 1024. Thus, the value in the register increases by one count every 128 μ s and the counter rolls over every 32.768 ms.

Table 23. Count Register

Location		Bit							
Address	Register	7	6	5	4	3	2	1	0
\$15	COUNT	COUNT[7]	COUNT[6]	COUNT[5]	COUNT[4]	COUNT[3]	COUNT[2]	COUNT[1]	COUNT[0]
Reset Value		0	0	0	0	0	0	0	0

4.1.12 Offset Correction Value Registers (OFFCORR_X, OFFCORR_Y)

The offset correction value registers are read-only registers which contain the most recent offset correction increment / decrement value from the offset cancellation circuit. The values stored in these registers indicate the amount of offset correction being applied to the SPI output data. The values have a resolution of 1 LSB.

Table 24. Offset Correction Value Register

Location		Bit							
Address	Register	7	6	5	4	3	2	1	0
\$16	OFFCORR_X	OFFCORR_X[7]	OFFCORR_X[6]	OFFCORR_X[5]	OFFCORR_X[4]	OFFCORR_X[3]	OFFCORR_X[2]	OFFCORR_X[1]	OFFCORR_X[0]
\$17	OFFCORR_Y	OFFCORR_Y[7]	OFFCORR_Y[6]	OFFCORR_Y[5]	OFFCORR_Y[4]	OFFCORR_Y[3]	OFFCORR_Y[2]	OFFCORR_Y[1]	OFFCORR_Y[0]
Reset Value		0	0	0	0	0	0	0	0

4.1.13 Reserved Registers (Reserved)

Registers \$1C and \$1D are reserved. A write to the reserved bits must always be logic '0' for normal device operation and performance.

Table 25. Reserved Registers

Location		Bit							
Address	Register	7	6	5	4	3	2	1	0
\$1C	Reserved	Reserved	Reserved	Reserved	Reserved	Reserved	Reserved	Reserved	Reserved
\$1D	Reserved	Reserved	Reserved	Reserved	Reserved	Reserved	Reserved	Reserved	Reserved
Reset Value		0	0	0	0	0	0	0	0

4.2 Customer Accessible Data Array CRC Verification

4.2.1 OTP Shadow Register Array CRC Verification

The OTP shadow register array is verified for errors using a 3-bit CRC. The CRC verification uses a generator polynomial of $g(x) = X^3 + X + 1$, with a seed value = '111'. If a CRC error is detected in the OTP array, the IDE bit is set in the DEVSTAT register.

4.2.2 Writable Register CRC Verification

The writable registers in the data array are verified for errors using a 3-bit CRC. The CRC verification is enabled only when the ENDINIT bit is set in the DEVCFG register. The CRC verification uses a generator polynomial of $g(x) = X^3 + X + 1$, with a seed value = '111'. If a CRC error is detected in the writable register array, the IDE bit is set in the DEVSTAT register.

4.3 Voltage Regulators

Separate internal voltage regulators supply the analog and digital circuitry. External filter capacitors are required, as shown in Figure 1. The voltage regulator module includes voltage monitoring circuitry which indicates a device reset until the external supply and all internal regulated voltages are within predetermined limits. A reference generator provides a stable voltage which is used by the $\Sigma\Delta$ converters.

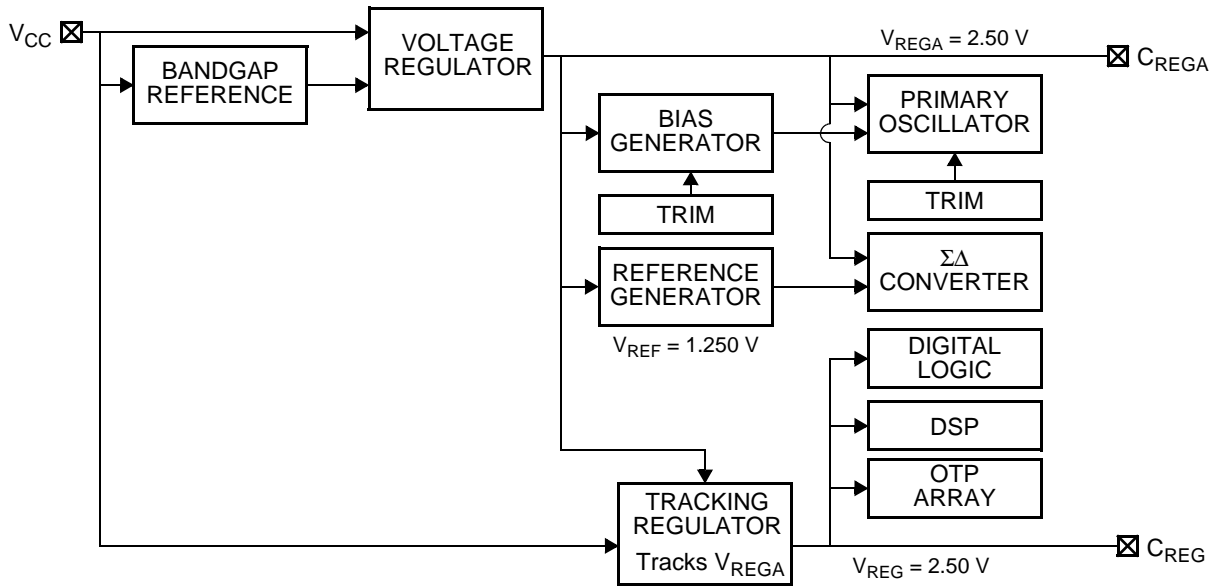


Figure 8. Power Supply

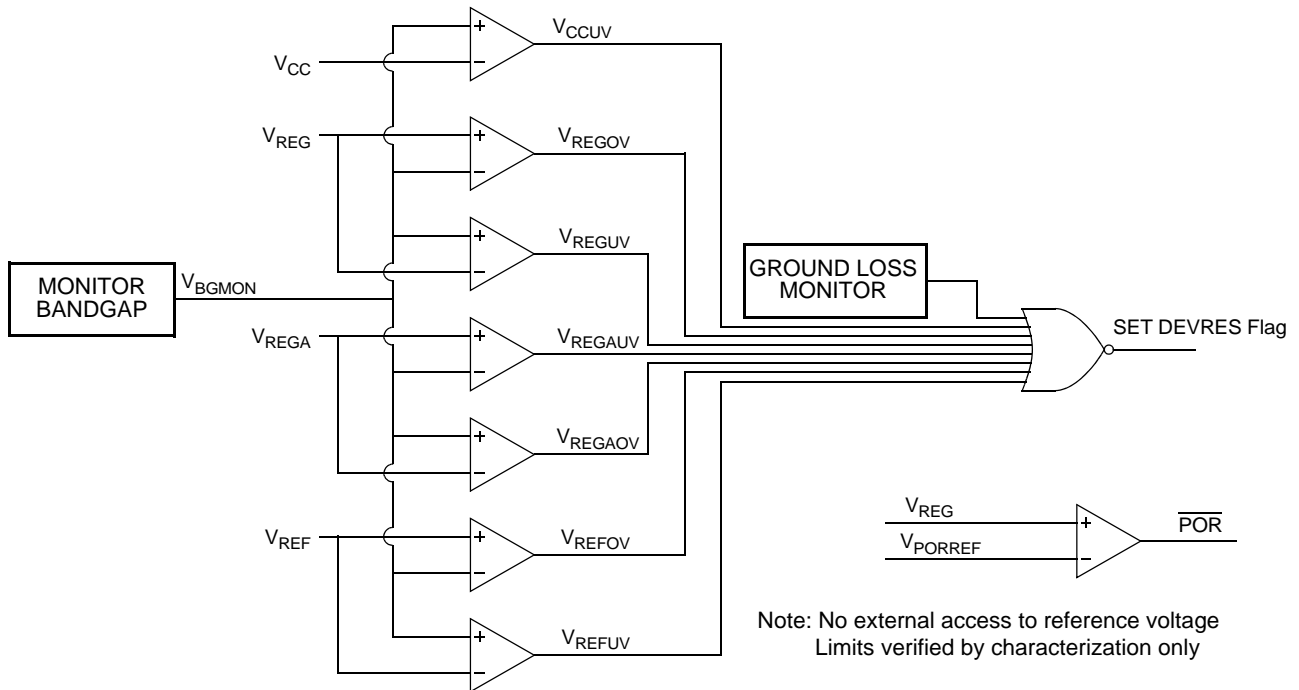


Figure 9. Voltage Monitoring

4.3.1 C_{REG} Failure Detection

The digital supply voltage regulator is designed to be unstable with low capacitance. If the connection to the V_{REG} capacitor becomes open, the digital supply voltage will oscillate and cause either an undervoltage, or overvoltage failure within one internal sample time. This failure will result in one of the following:

1. The DEVRES flag in the DEVSTAT register will be set. MMA68xx will respond to SPI acceleration requests as defined in [Table 30](#).
2. MMA68xx will be held in RESET and be non-responsive to SPI requests.

4.3.2 C_{REGA} Failure Detection

The analog supply voltage regulator is designed to be unstable with low capacitance. If the connection to the V_{REGA} capacitor becomes open, the analog supply voltage will oscillate and cause either an undervoltage, or overvoltage failure within one internal sample time. The DEVRES flag in the DEVSTAT register will be set. MMA68xx will respond to SPI acceleration requests as defined in [Table 30](#).

Note: This feature is only supported with a V_{CC} supply voltage in the range of 4.75 V to 5.25 V.

4.3.3 V_{SS} and V_{SSA} Ground Loss Monitor

MMA68xx detects the loss of ground connection to either V_{SS} or V_{SSA}. A loss of ground connection to V_{SS} will result in a V_{REG} overvoltage failure. A loss of ground connection to V_{SSA} will result in a V_{REG} undervoltage failure. Both failures result in a device reset.

4.3.4 SPI Initiated Reset

In addition to voltage monitoring, a device reset can be initiated by a specific series of three write operations involving the RES_1 and RES_0 bits in the DEVCTL register. Reference [Section 4.1.5.1](#) for details regarding the SPI initiated reset.

4.4 Internal Oscillator

MMA68xx includes a factory trimmed oscillator as specified in [Section 3.6](#).

4.4.1 Oscillator Monitor

The COUNT register in the customer accessible array is a read-only register which provides the current value of a free-running 8-bit counter derived from the primary oscillator. A 10-bit pre-scaler divides the primary oscillator by 1024. Thus, the value in the COUNT register increases by one count every 128 μs, and the register rolls over every 32.768 ms. The SPI master can periodically read the COUNT register, and verify the difference between subsequent register reads against the system time base.

1. The SPI access rates and deviations must be taken into account for this oscillator verification.

4.5 Transducer

The MMA68xx transducer is an overdamped mass-spring-damper system described by the following transfer function:

$$H(s) = \frac{\omega_n^2}{s^2 + 2 \cdot \zeta \cdot \omega_n \cdot s + \omega_n^2}$$

where:

ζ = Damping Ratio

ω_n = Natural Frequency = 2*π*f_n

Reference [Section 3.4](#) for transducer parameters.

4.6 Self-test Interface

The self-test interface applies a voltage to the *g*-cell, causing deflection of the proof mass. The self-test interface is controlled through SPI write operations to the DEVCFG_X and DEVCFG_Y registers described in [Section 4.1.7](#). The ENDINIT bit in the DEVCFG register must also be low to enable self-test. A diagram of the self-test interface is shown in [Figure 10](#).

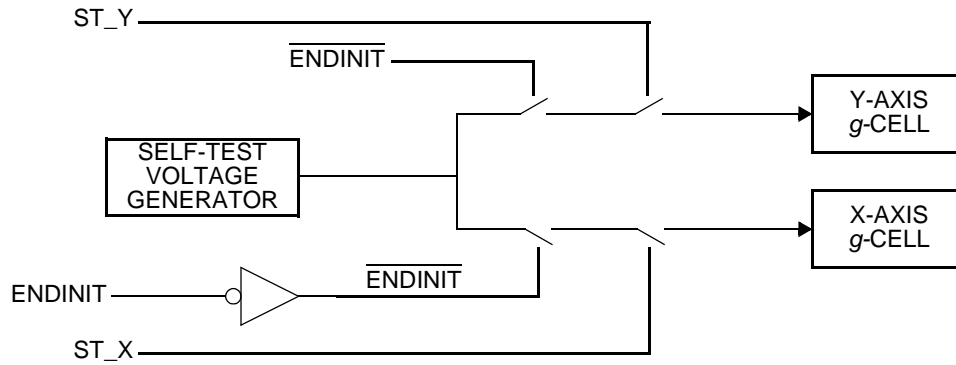


Figure 10. Self-test Interface

The raw self-test deflection can be verified against raw self-test limits using the following equations:

$$\Delta ST_{MINLIMIT} = FLOOR \cdot (\Delta ST_{MIN}) \cdot [SENS \cdot (1 - \Delta SENS)]$$

$$\Delta ST_{MAXLIMIT} = CEIL \cdot (\Delta ST_{MAX}) \cdot [SENS \cdot (1 + \Delta SENS)]$$

where:

ΔST_{MIN}	The minimum self-test deflection over temperature as specified in Section 3.4 .
ΔST_{MAX}	The maximum self-test deflection over temperature as specified in Section 3.4 .
SENS	The sensitivity of the device
$\Delta SENS$	The sensitivity tolerance

4.7 $\Sigma\Delta$ Converters

Two sigma delta converters provide the interface between the *g*-cell and the DSP. The output of each $\Sigma\Delta$ converter is a data stream at a nominal frequency of 1 MHz.

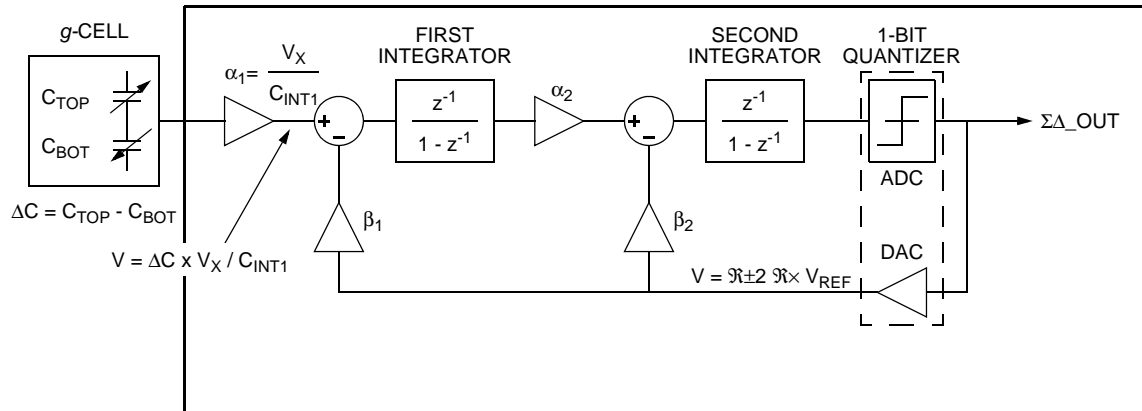


Figure 11. $\Sigma\Delta$ Converter Block Diagram

4.8 Digital Signal Processing Block

A digital signal processing (DSP) block is used to perform signal filtering and compensation operations. A diagram illustrating the signal processing flow is shown in Figure 12.

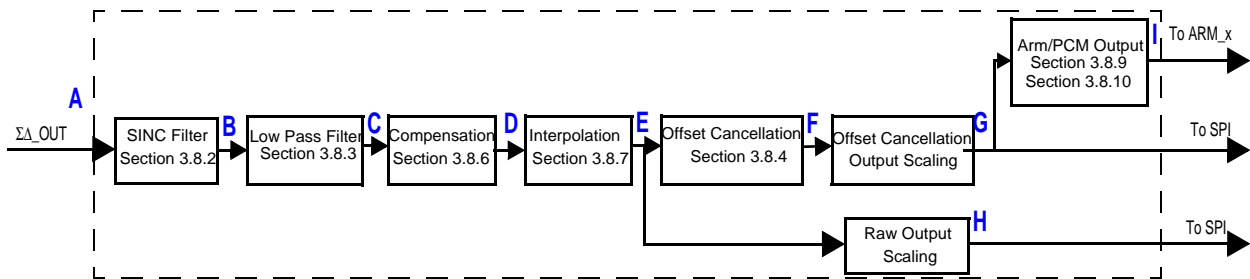


Figure 12. Signal Chain Diagram

Table 26. MMA68xx Signal Chain Characteristics

	Description	Sample Time (μs)	Data Width Bits	Over Bits	Effective Bits	Rounding Resolution Bits	Typical Block Latency	Reference
A	$\overline{\text{SD}}$	1	1		1	—	3.2 μs	Section 4.7
B	SINC Filter	8	14		13	—	11.2 μs	Section 4.8.2
C	Low Pass Filter	8/16	20	6	10	4	Reference Section 4.8.3	Section 4.8.3
D	Compensation	8/16	20	6	10	4	7.875 μs	Section 4.8.6
E	Interpolation	4/8	20	6	10	4	$t_s / 2$	Section 4.8.7
F	Offset Cancellation	256	20	6	10	4	N/A	Section 4.8.4
G, H	SPI Output	4/8	—	—	10	—	$t_s / 2$	—
I	PCM Output	4/8	—	—	9	—	—	Section 4.8.10

4.8.1 DSP Clock

The DSP is clocked at 8 MHz, with an effective 6MHz operating frequency. The clock to the DSP is disabled for 1 clock prior to each edge of the $\Sigma\Delta$ modulator clock to minimize noise during data conversion. The bit streams from the two $\Sigma\Delta$ converters are processed through independent data paths within the DSP.

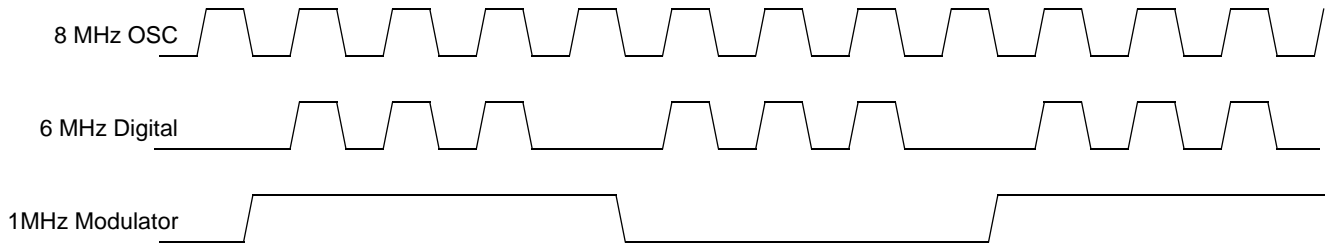


Figure 13. Clock Generation

4.8.2 Decimation Sinc Filter

The serial data stream produced by the $\Sigma\Delta$ converter is decimated and converted to parallel values by a 3rd order 16:1 sinc filter with a decimation factor of 8 or 16, depending on the Low Pass Filter selected.

$$H(z) = \left[\frac{1 - z^{-16}}{16(1 - z^{-1})} \right]^3$$

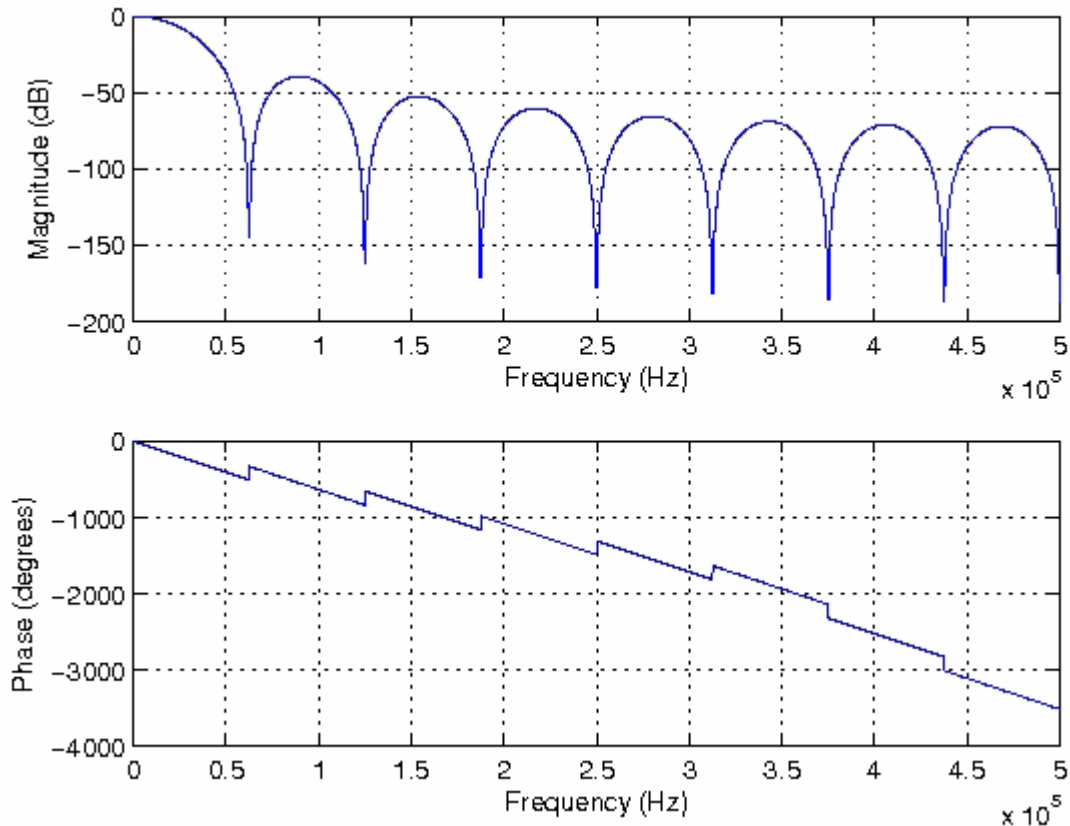


Figure 14. Sinc Filter Response, $t_S = 8 \mu s$

4.8.3 Low Pass Filter

Data from the Sinc filter is processed by an infinite impulse response (IIR) low pass filter.

$$H(z) = \frac{n_0 + (n_1 \cdot z^{-1}) + (n_2 \cdot z^{-2}) + (n_3 \cdot z^{-3}) + (n_4 \cdot z^{-4})}{d_0 + (d_1 \cdot z^{-1}) + (d_2 \cdot z^{-2}) + (d_3 \cdot z^{-3}) + (d_4 \cdot z^{-4})}$$

MMA68xx provides the option for one of twelve low-pass filters. The filter is selected independently for each axis with the LPF_X[3:0] and LPF_Y[3:0] bits in the DEVCFG_X and DEVCFG_Y registers. The filter selection options are listed in [Section 4.1.7.3, Table 11](#). Response parameters for the low-pass filter are specified in [Section 3.4](#). Filter characteristics are illustrated in [Figures 15, 16, 17, 18, 19](#) and [20](#).

Table 27. Low Pass Filter Coefficients

Description	Sample Time (μs)	Filter Coefficients				Group Delay	
		n ₀	n ₁	n ₂	n ₃		
50 Hz LPF	16	n ₀	2.08729034056887e-10	d ₀	1	26816/f _{osc}	
		n ₁	8.349134489240434e-10	d ₁	-3.976249694824219		
100 Hz LPF	8	n ₂	1.25237777794924e-09	d ₂	5.929003009577855		
		n ₃	8.349103355433541e-10	d ₃	-3.929255528257727		
		n ₄	2.087307211059861e-10	d ₄	0.9765022168437554		
		n ₀	1.639127731323242e-08	d ₀	1		
150 Hz LPF	16	n ₁	6.556510925292969e-08	d ₁	-3.928921222686768	9024/f _{osc}	
		n ₂	9.834768482194806e-08	d ₂	5.789028996785419		
300 Hz LPF	8	n ₃	6.556510372902331e-08	d ₃	-3.791257019240902		
		n ₄	1.639128257923422e-08	d ₄	0.9311495074496179		
		n ₀	5.124509334564209e-08	d ₀	1		
		n ₁	2.049803733825684e-07	d ₁	-3.905343055725098		
200 Hz LPF	16	n ₂	3.074705789151505e-07	d ₂	5.72004239520561	6784/f _{osc}	
		n ₃	2.049803958150164e-07	d ₃	-3.723967810019985		
400 Hz LPF	8	n ₄	5.124510693742625e-08	d ₄	0.9092692903507213		
		n ₀	2.720393240451813e-06	d ₀	1		
		n ₁	8.161179721355438e-06	d ₁	-2.931681632995605		
		n ₂	8.161180123840722e-06	d ₂	2.865296718275204		
200 Hz LPF 3-pole	16	n ₃	2.720393634345496e-06	d ₃	-0.9335933215174919	5632/f _{osc}	
		n ₄	0	d ₄	0		
400 Hz LPF 3-pole	8	n ₀	7.822513580322266e-07	d ₀	1		
		n ₁	3.129005432128906e-06	d ₁	-3.811614513397217		
400 Hz LPF	16	n ₂	4.693508163398543e-06	d ₂	5.450666051045118		3392/f _{osc}
		n ₃	3.129005428784364e-06	d ₃	-3.465805771100349		
800 Hz LPF	8	n ₄	7.822513604678875e-07	d ₄	0.8267667478030489		
		n ₀	1.865386962890625e-06	d ₀	1		
		n ₁	7.4615478515625e-06	d ₁	-3.765105724334717		
		n ₂	1.119232176112846e-05	d ₂	5.319861050818872		
500 Hz LPF	16	n ₃	7.4615478515625e-06	d ₃	-3.34309015036024	2688/f _{osc}	
		n ₄	1.86538696264658e-06	d ₄	0.7883646729233078		
1000 Hz LPF	8	n ₀	1.86538696264658e-06	d ₀	0.7883646729233078		

Note: Low Pass Filter Figures do not include g-cell frequency response.

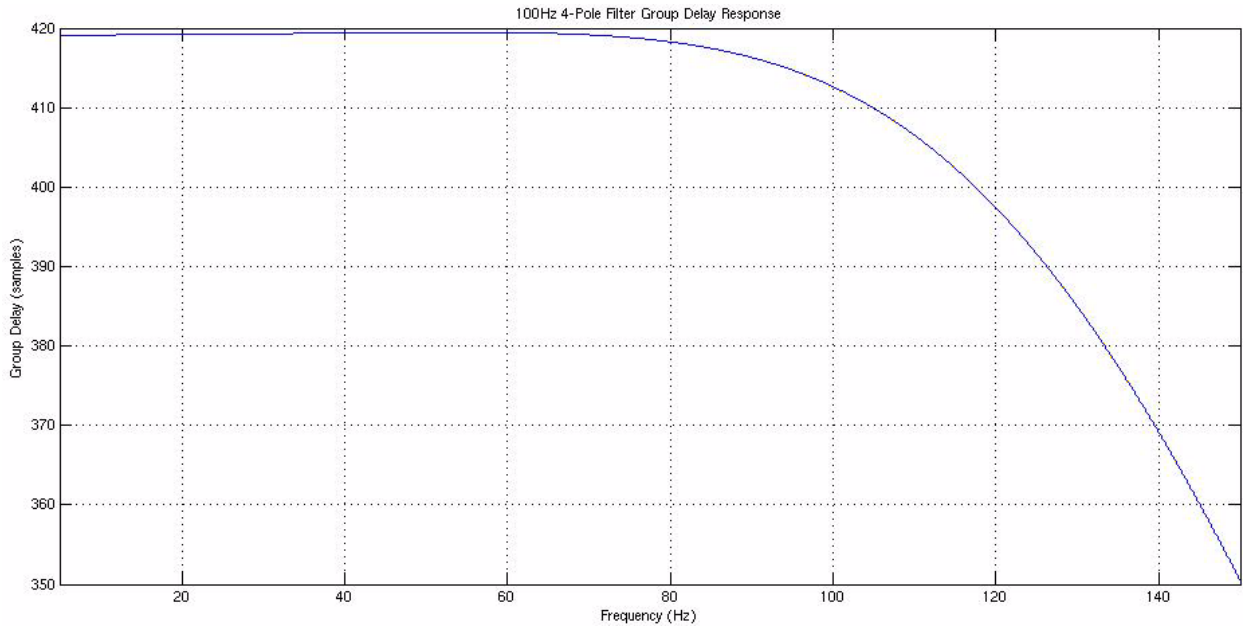
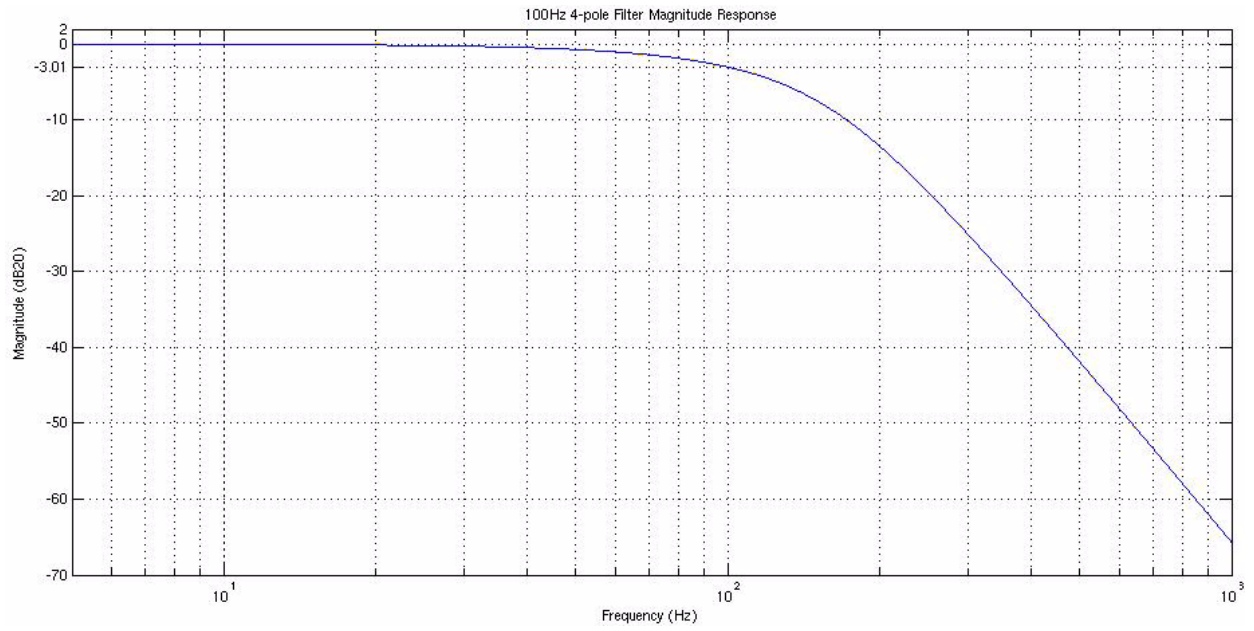


Figure 15. Low-Pass Filter Characteristics: $f_C = 100$ Hz, Poles = 4, $t_S = 8 \mu s$

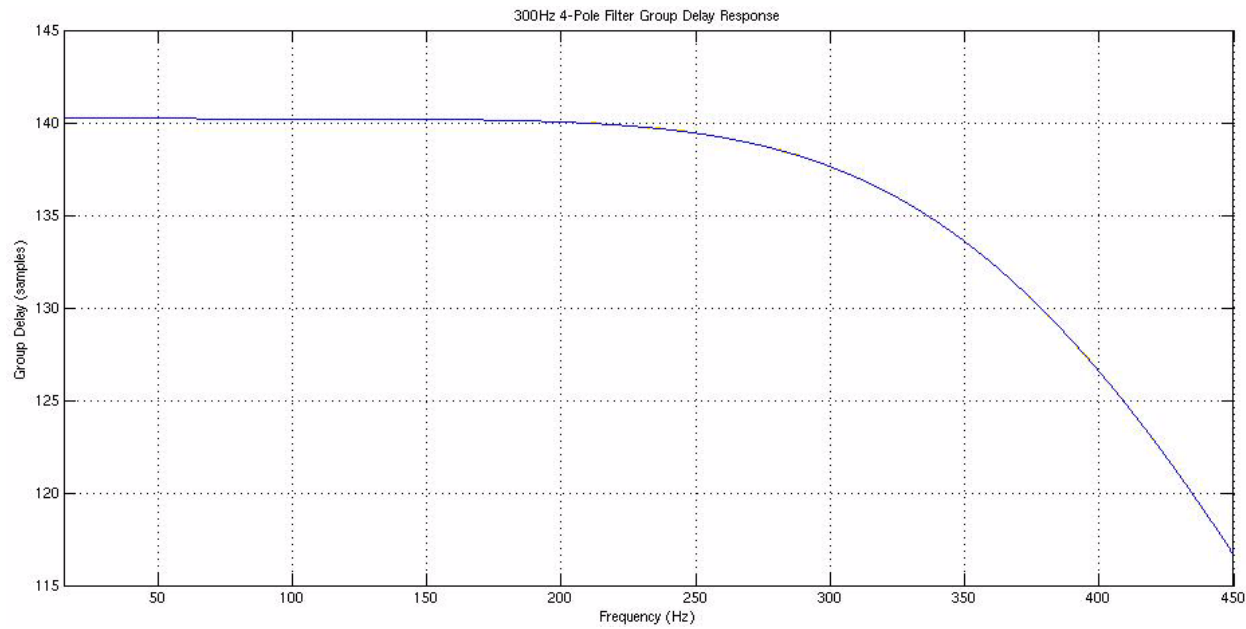
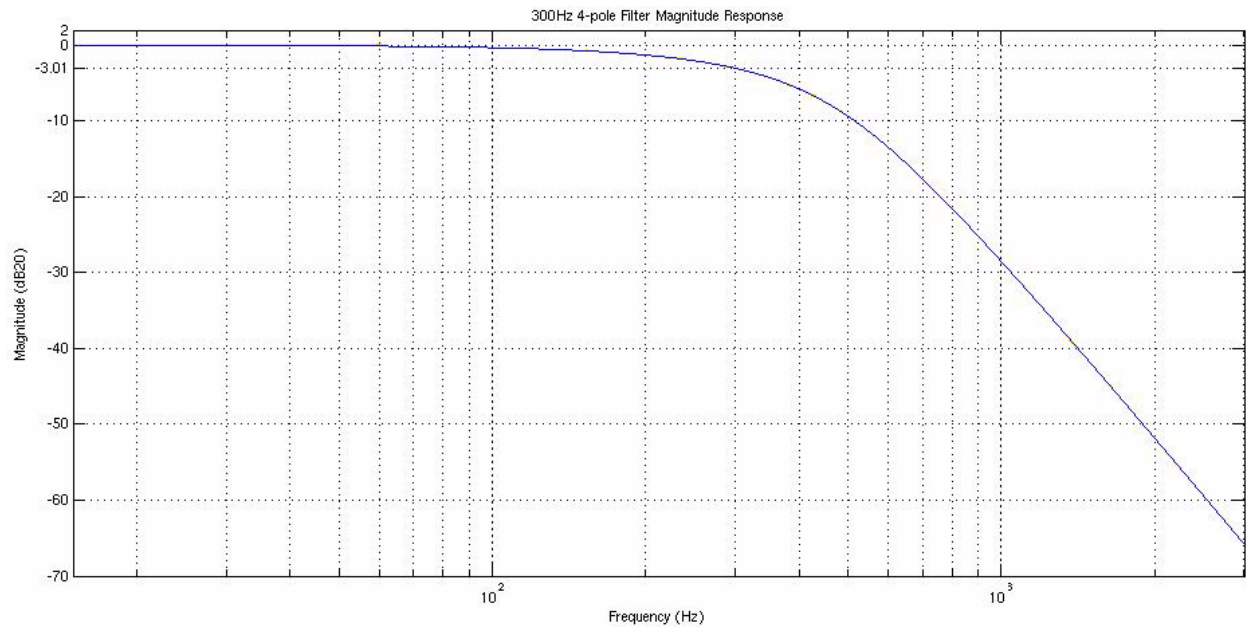


Figure 16. Low-Pass Filter Characteristics: $f_c = 300$ Hz, Poles = 4, $t_s = 8 \mu s$

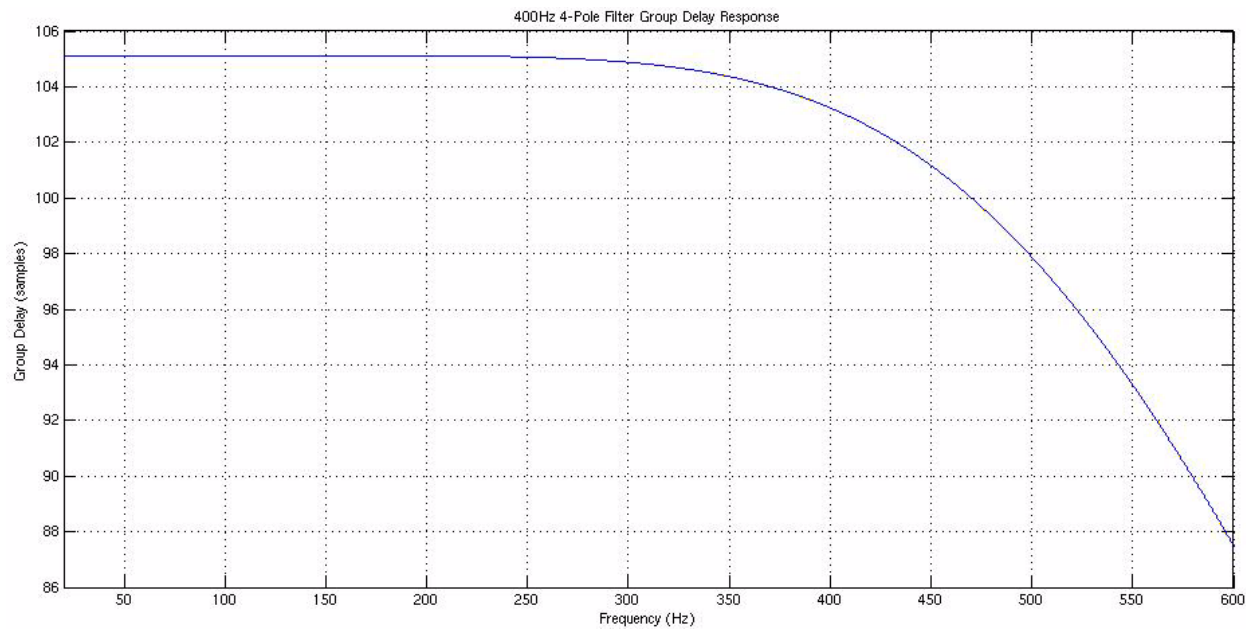
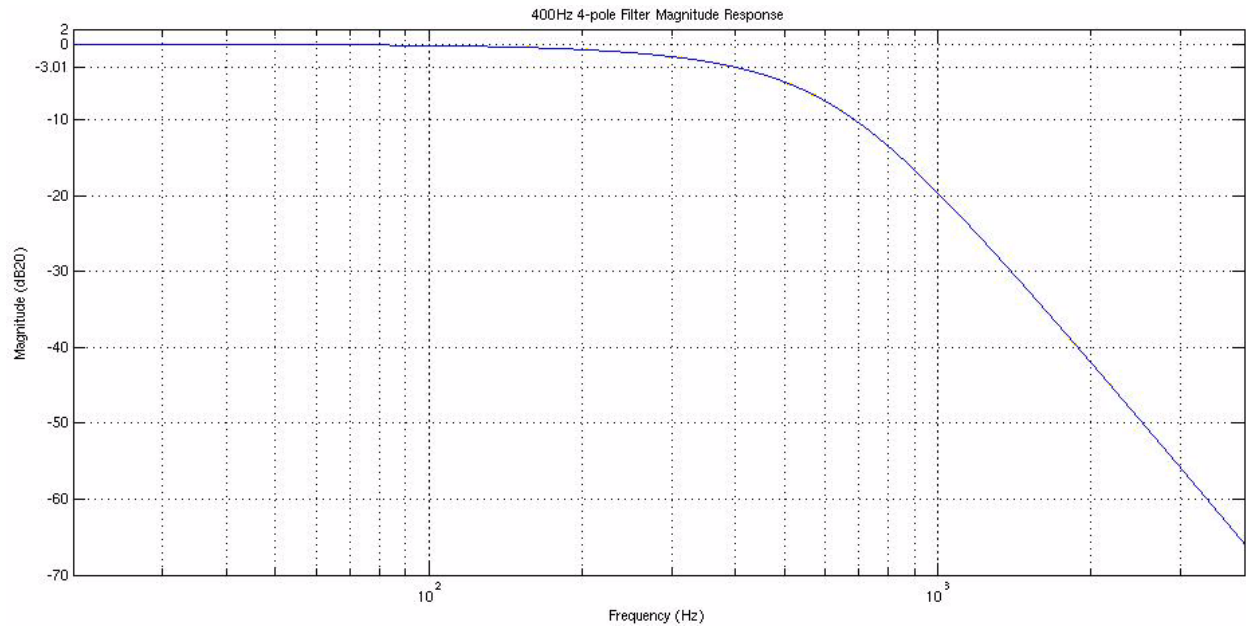


Figure 17. Low-Pass Filter Characteristics: $f_C = 400$ Hz, Poles = 4, $t_S = 8 \mu s$

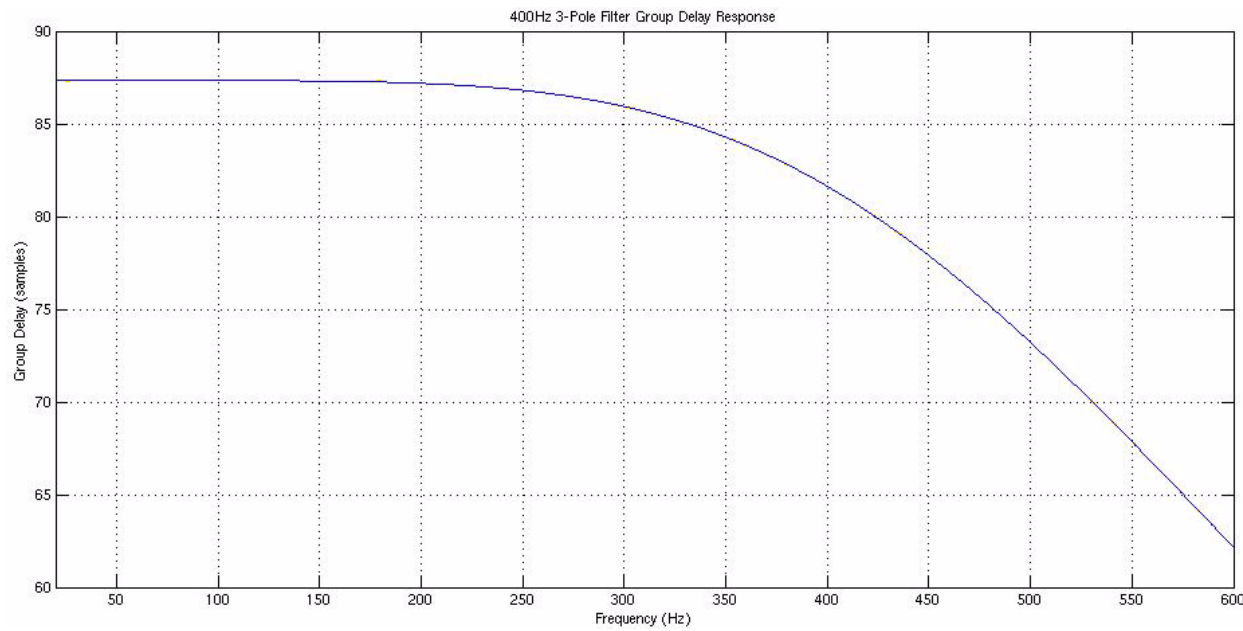
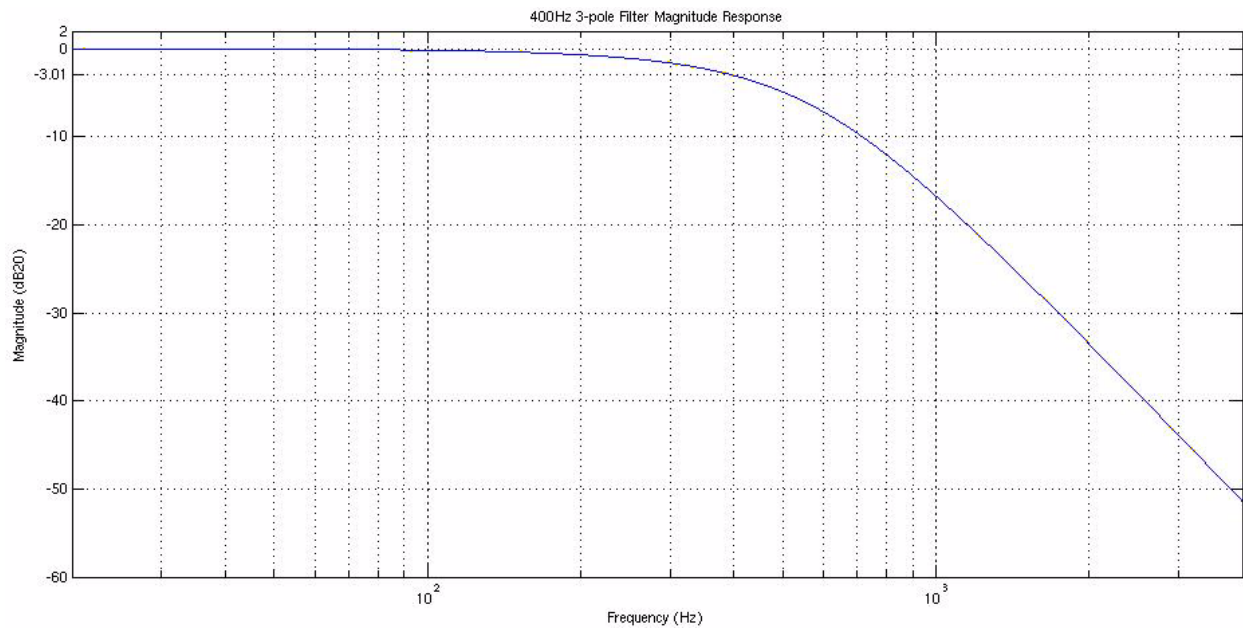


Figure 18. Low-Pass Filter Characteristics: $f_C = 400$ Hz, Poles = 3, $t_S = 8 \mu s$

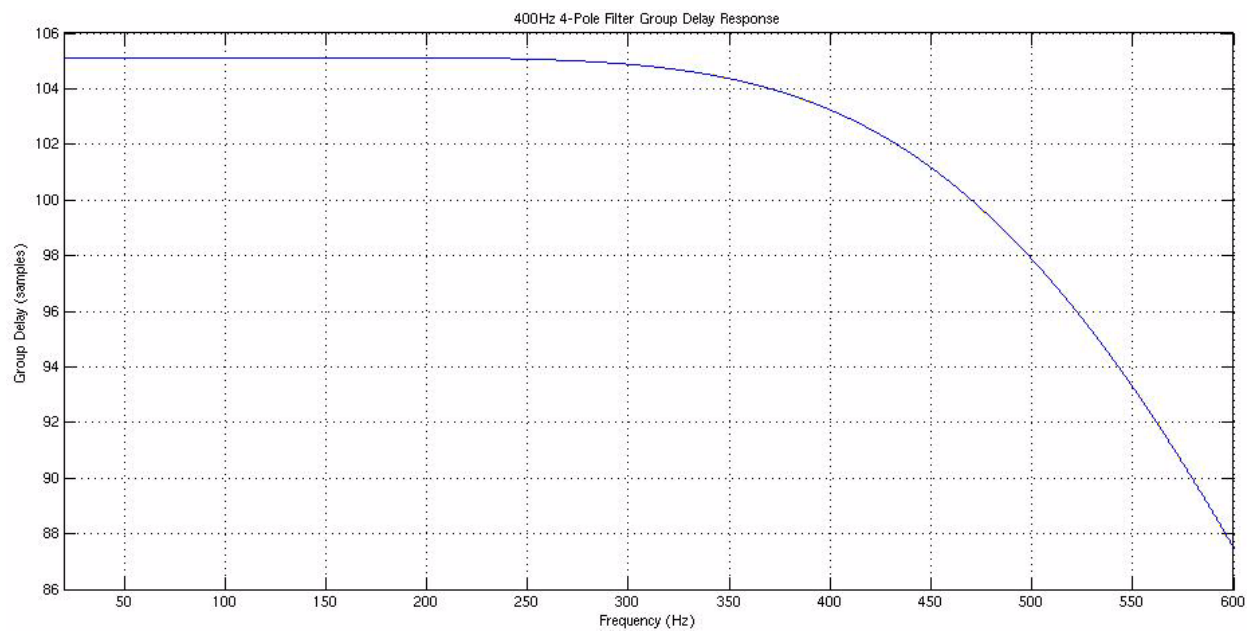
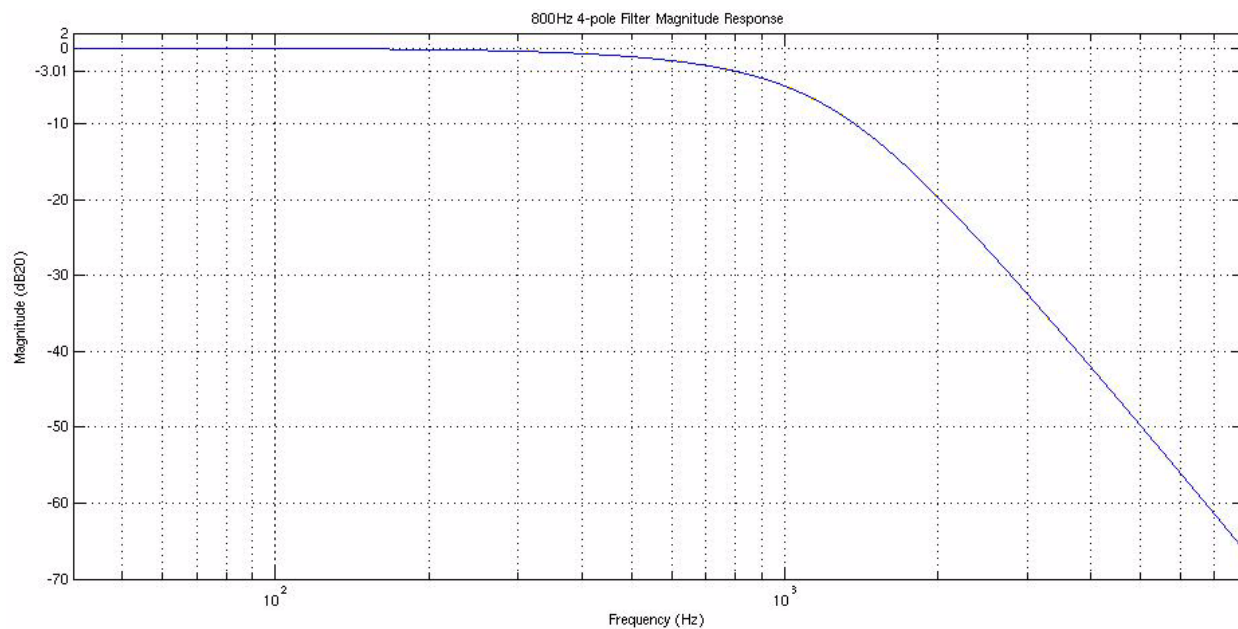


Figure 19. Low-Pass Filter Characteristics: $f_C = 800$ Hz, Poles = 4, $t_S = 8 \mu s$

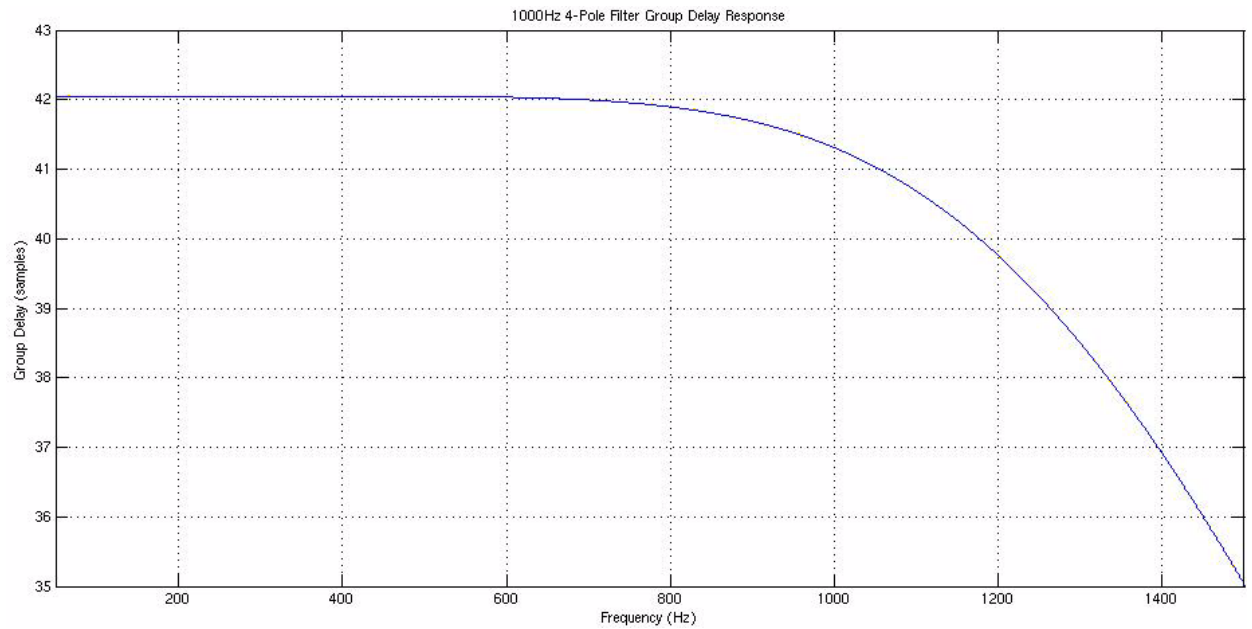
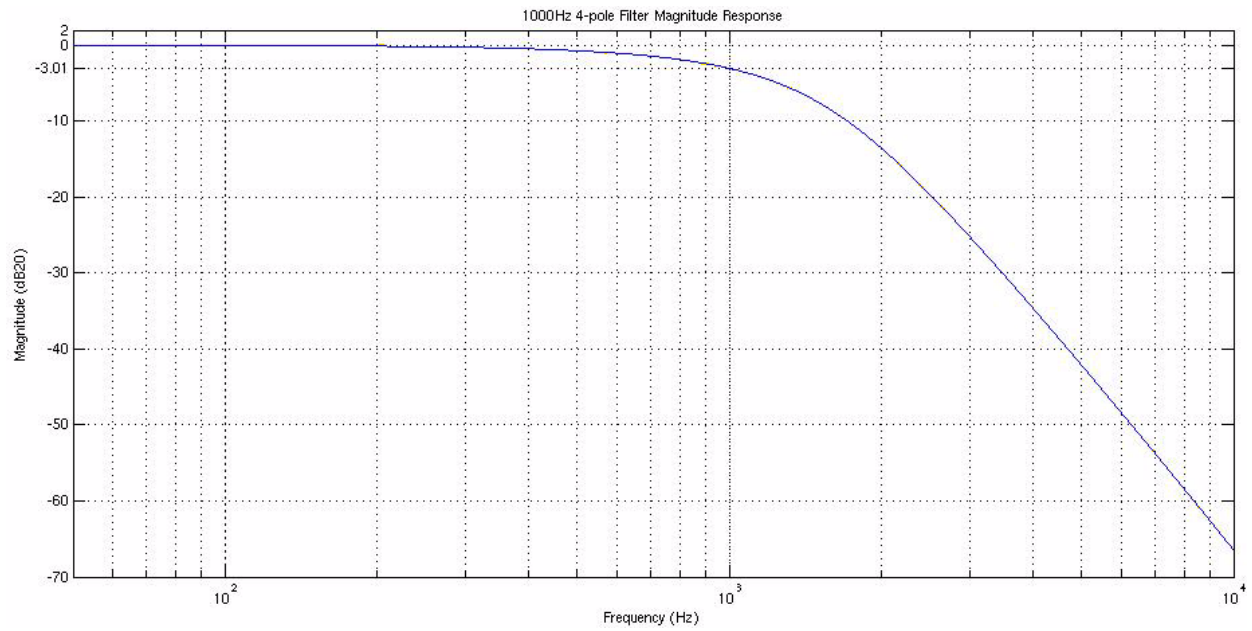


Figure 20. Low-Pass Filter Characteristics: $f_C = 1000$ Hz, Poles = 4, $t_S = 8 \mu s$

4.8.4 Offset Cancellation

MMA68xx provides the option to read offset cancelled acceleration data via the SPI by clearing the \overline{OC} bit in the SPI command (reference Section 5.1). A block diagram of the offset cancellation is shown in Figure 21, and response parameters are specified in Section 3.4 and in Table 28.

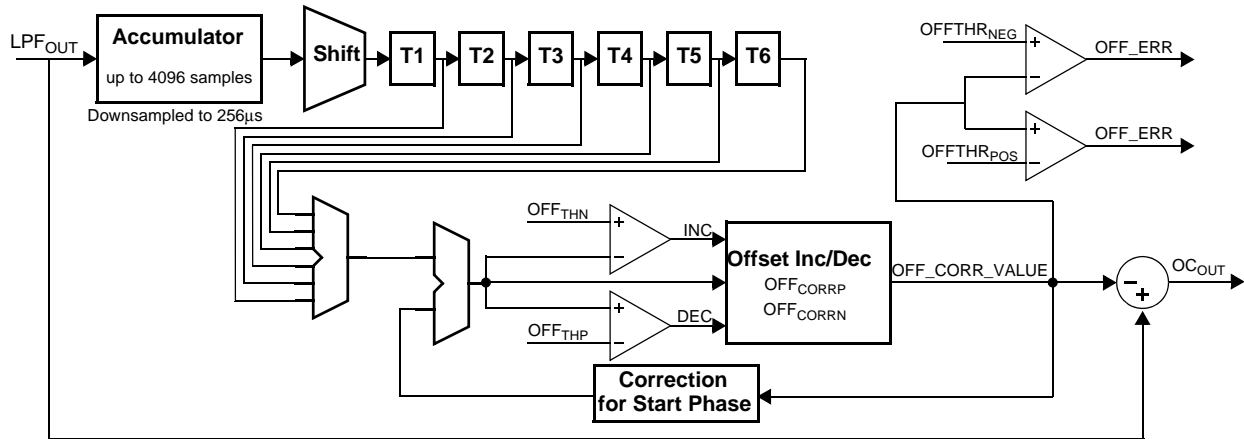


Figure 21. Offset Cancellation Block Diagram

In normal operation, the offset cancellation circuit computes a 24,576 sample running average of the acceleration data downsampled to 256 μ s. The running average is compared against positive and negative thresholds to determine the offset correction value that will be applied to the acceleration data.

During start up, three phases of moving average sizes are used to allow for faster convergence of misuse input signals. Reference Table 28 for offset cancellation timing information during startup and normal operation.

Table 28. Offset Cancellation Timing Specifications

Phase	Start Time of Phase (from POR)	Typical Time in Phase (ms)	# of Samples in Phase	Samples Averaged	OFF_CORR_VALUE Update Rate (ms)	Averaging Period (ms)	Maximum Slew Rate (LSB/s)	Averaging Filter -3dB Frequency (Hz)
Start 1	t_{OP}	524.288	2048	48	2.048	12.288	122.1	36.05
Start 2	$t_{OP} + 524.288$	524.288	2048	384	16.38	98.304	15.26	4.506
Start 3	$t_{OP} + 1048.576$	524.288	2048	3072	131.1	786.432	1.907	0.5632
Normal	$t_{OP} + 1572.864$	—	—	24576	1049	6291.456	0.2384	0.07040

When the self-test circuitry is active, the offset cancellation block and the offset monitor block are suspended, and the offset correction value is constant. Once the self-test circuitry is disabled, the offset cancellation block remains suspended for the time t_{ST_OMB} to allow the acceleration output to return to its nominal offset.

4.8.5 Offset Monitor

MMA68xx provides the option for an offset monitor circuit. The offset monitor circuit is enabled when the OFMON bit in the DEVCFG register is programmed to a logic '1'. The output of the offset cancellation circuit is compared against a high and low threshold. If the offset correction value exceeds either the $OFFTHR_{POS}$, or $OFFTHR_{NEG}$ threshold, an Offset Over Range condition is indicated.

The offset correction value update rate is listed in Table 28. Because the offset monitor uses this value, the offset monitor will also update at this rate. The time to indicate an Offset Over Range is dependent upon the input signal.

The offset monitor status remains frozen during self-test, because the offset monitor is based on the offset cancellation circuit, which is also suspended during self-test. The offset monitor is disabled for 2.1 seconds following reset regardless of the state of the OFMON bit.

4.8.6 Signal Compensation

MMA68xx includes internal OTP and signal processing to compensate for sensitivity error and offset error. This compensation is necessary to achieve the specified parameters in Section 3.4.

4.8.7 Data Interpolation

MMA68xx includes 2 to 1 data interpolation to minimize the system sample jitter. Each result produced by the digital signal processing chain is delayed one half of a sample time, and the interpolated value of successive samples is provided between sample times. This operation is illustrated in Figure 22.

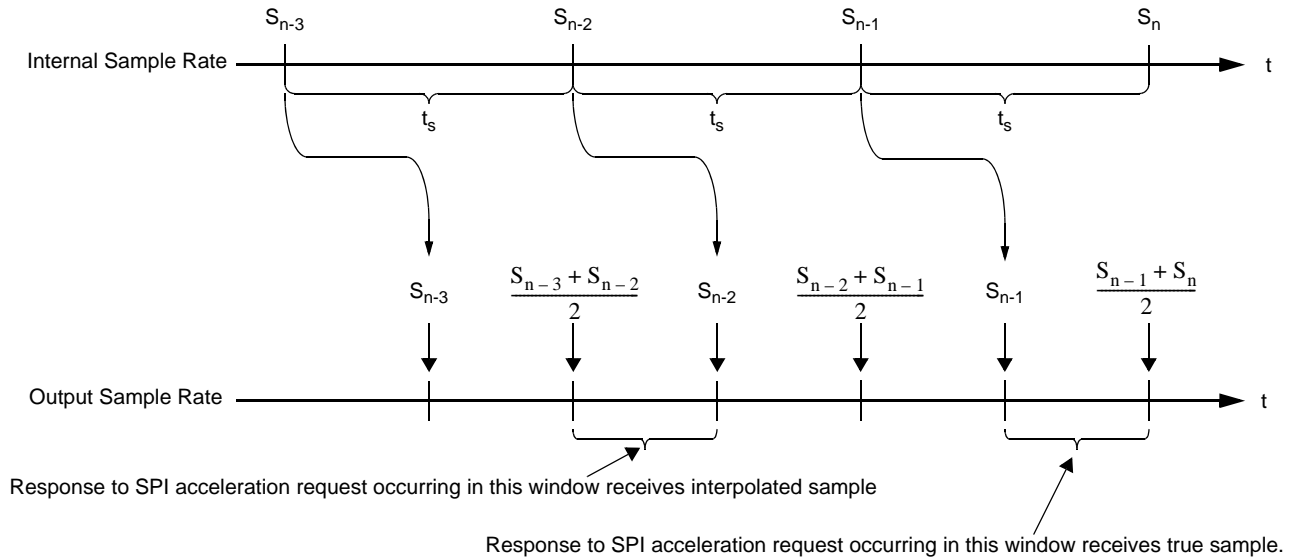


Figure 22. Data Interpolation Timing

The effect of this interpolation at the system level is a 50 % reduction in sample jitter. Figure 23 shows the resulting output data for an input signal.

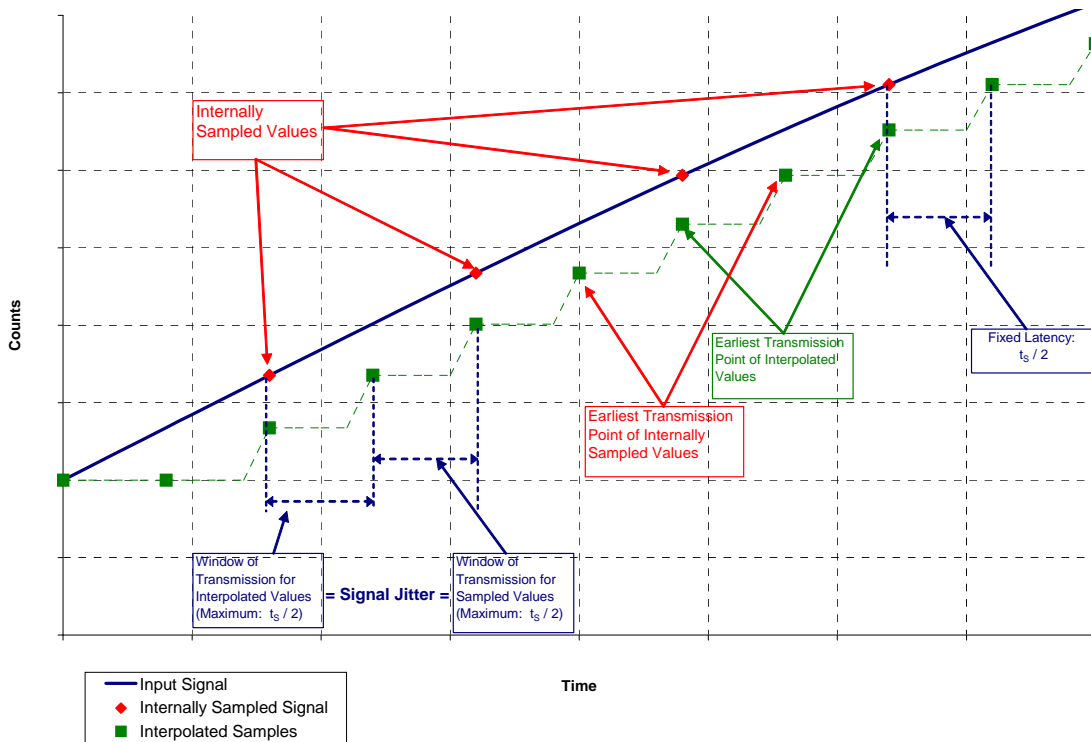
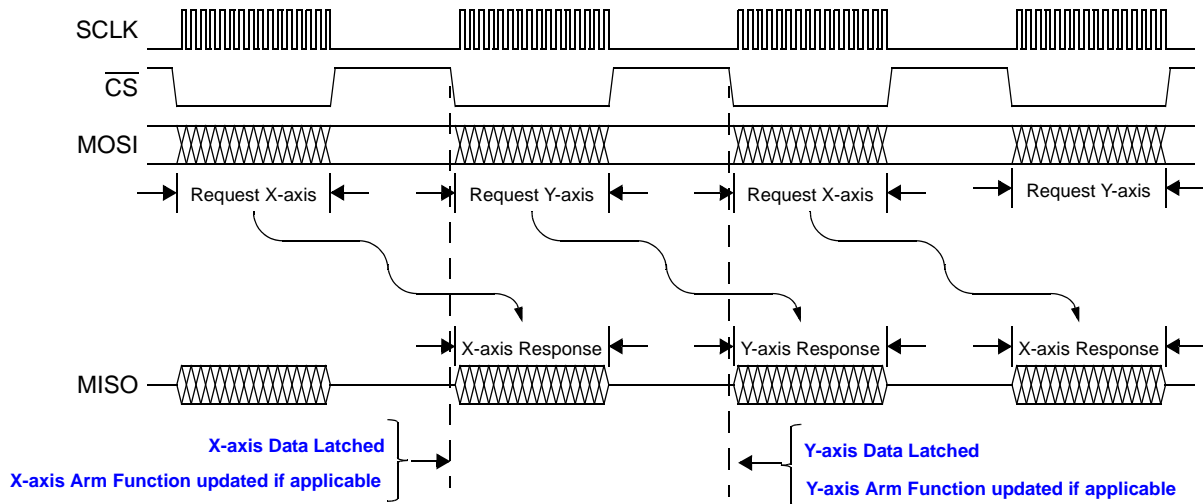


Figure 23. Data Interpolation Example

4.8.8 Acceleration Data Timing

The MMA68xx SPI uses a request/response protocol, where a SPI transfer is completed through a sequence of 2 phases. Reference [Section 5](#) for more details regarding the SPI protocol. In order to provide the most recent acceleration data for each request, MMA68xx latches the associated data for an acceleration request at the falling edge of \overline{CS} for the acceleration response message (the subsequent SPI transfer). The most recent sample available from the DSP (including interpolation), is latched, providing a maximum latency of $1 * t_s$ relative to the falling edge of \overline{CS} .



4.8.9 Arming Function

MMA68xx provides the option for an arming function with 3 modes of operation. The operation of the arming function is selected by the state of the A_CFG bits in the DEVCFG register.

Reference [Section 5.5](#) for the operation of the Arming function with exception conditions. Error conditions do not impact prior arming function responses. If an error occurs after an arming activation, the corresponding pulse stretch for the existing arming condition will continue. However, new acceleration reads will not update the arming function regardless of the acceleration value.

4.8.9.1 Arming Function: Moving Average Mode

In moving average mode, the arming function runs a moving average on the offset cancelled output of each acceleration axis. The number of samples used for the moving average (k) is programmable via the AWS_Xx[1:0] and ARM_Yx[1:0] bits in the ARMCFGX and ARMCFGY registers. Reference [Section 4.1.8](#) for register details.

$$ARM_MA_n = (OC_n + OC_{n-1} + \dots + OC_{n+1-k})/k$$

Where n is the current sample.

The sample rate for each axis is determined by the SPI acceleration data sample rate. At the falling edge of \overline{CS} for an acceleration data SPI response, the moving average for the associated axis is updated with a new sample. Reference [Figure 26](#). The SPI acceleration data sample rate must meet the minimum time between requests ($t_{ACC_REQ_x}$) specified in [Section 3.5](#).

The moving average output is compared against positive and negative 8-bit thresholds that are individually programmed for each axis via the ARMT_Xx and ARMT_Yx registers. Reference [Section 4.1.9](#) for register details. If the moving average equals or exceeds either threshold, an arming condition is indicated, the ARM_X or ARM_Y output is asserted for the associated axis, and the pulse stretch counter is set as described in [Section 4.8.9.4](#).

The ARM_X or ARM_Y output is de-asserted only when the pulse stretch counter expires. [Figure 26](#) shows the arming output operation for different SPI conditions.

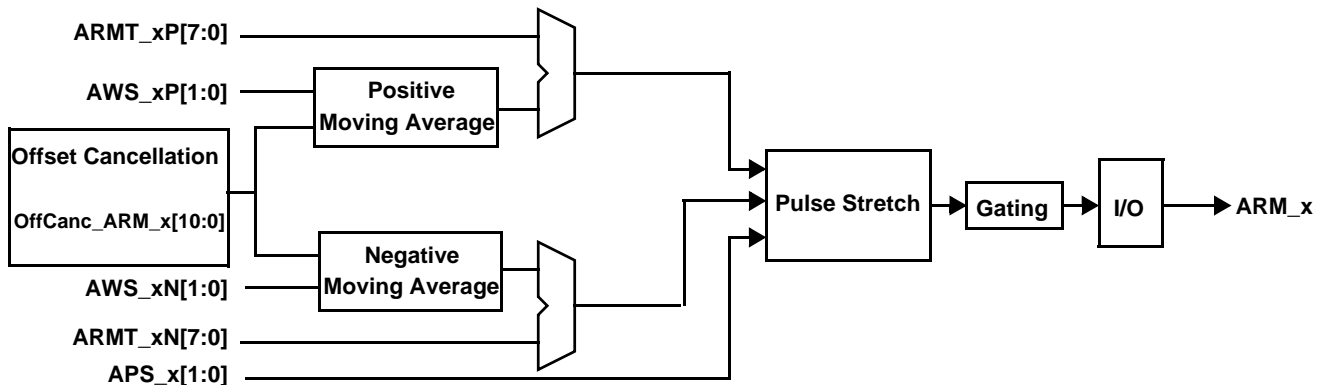


Figure 24. Arming Function Block Diagram - Moving Average Mode

4.8.9.2 Arming Function: Count Mode

In count mode, the arming function compares each input sample against positive and negative thresholds that are individually programmed for each axis via the ARMT_Xx and ARMT_Yx registers. Reference [Section 4.1.9](#) for register details. If the sample equals or exceeds either threshold, a sample counter is incremented. If the sample does not exceed either threshold, the sample counter is reset to zero.

The sample rate for each axis is determined by the SPI acceleration data sample rate. At the falling edge of \overline{CS} for an acceleration data SPI response, a new sample for the associated axis is compared against the thresholds. Reference [Figure 26](#). The SPI acceleration data sample rate must meet the minimum time between requests ($t_{ACC_REQ_x}$) specified in [Section 3.5](#).

A sample count limit is programmable via the AWS_Xx[1:0] and AWS_Yx[1:0] bits in the ARMCFGX and ARMCFGY registers. If the sample count reaches the programmable sample count limit, an arming condition is indicated, the ARM_X or ARM_Y output is asserted for the associated axis, and the pulse stretch counter is set as described in [Section 4.8.9.4](#).

The ARM_X or ARM_Y output is de-asserted only when the pulse stretch counter expires. [Figure 26](#) shows the arming output operation for different SPI conditions.

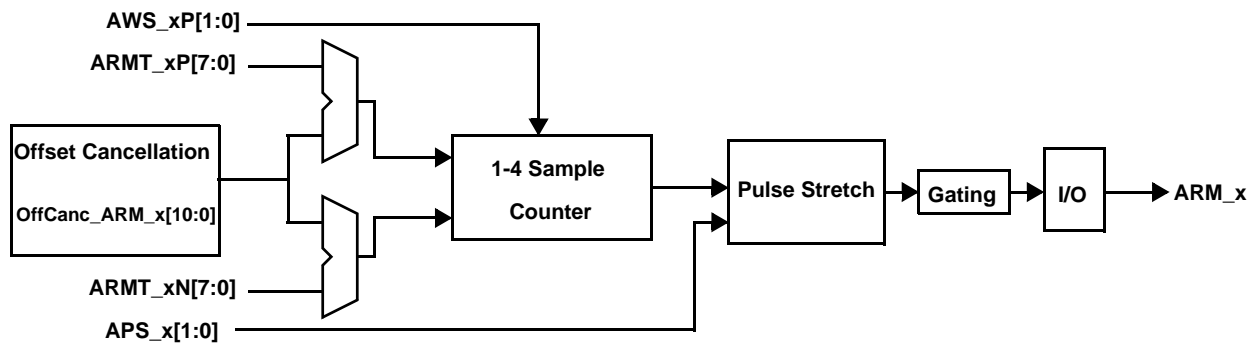


Figure 25. Arming Function Block Diagram - Count Mode

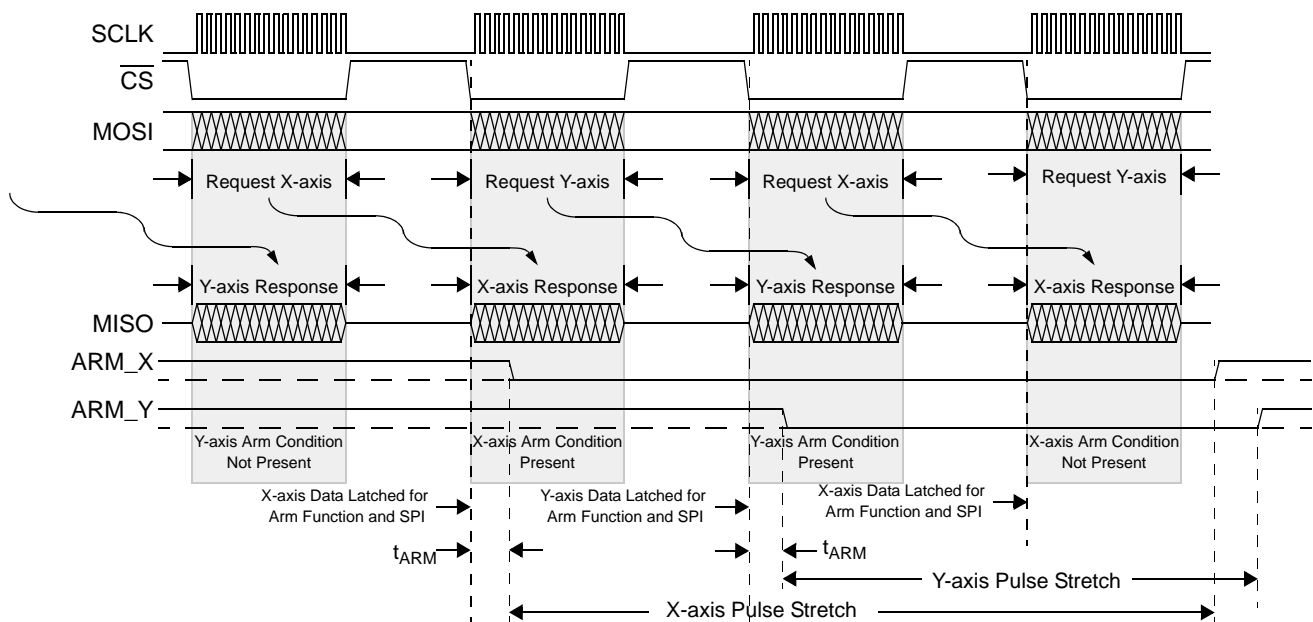


Figure 26. X and Y Axis Arming Conditions, Moving Average and Count Mode

4.8.9.3 Arming Function: Unfiltered Mode

On the falling edge of \overline{CS} for an acceleration response, the most recent available DSP sample for the requested axis is compared against positive and negative thresholds that are individually programmed for each axis via the ARMT_Xx and ARMT_Yx registers. Reference Section 4.1.9 for register details. If the sample equals or exceeds either threshold, an arming condition is indicated.

Once an arming condition is indicated for the X-axis, the ARM_X output is asserted when \overline{CS} is asserted and the MISO data includes an acceleration response for that axis.

Once an arming condition is indicated for the Y-axis, the ARM_Y output is asserted when \overline{CS} is asserted and the MISO data includes an acceleration response for that axis.

The pulse stretch function is not applied in Unfiltered mode.

Figure 27 contains a block diagram of the Arming Function operation in Unfiltered Mode. Figure 28 shows the Arming output operation under the different SPI request conditions.

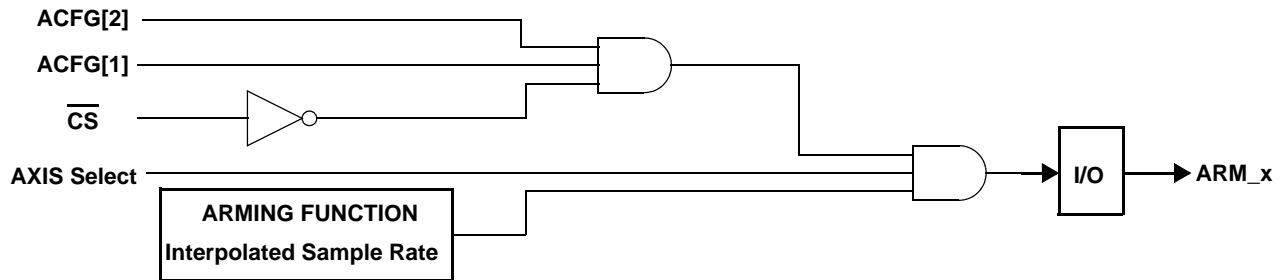


Figure 27. Arming Function Block Diagram - Unfiltered Mode

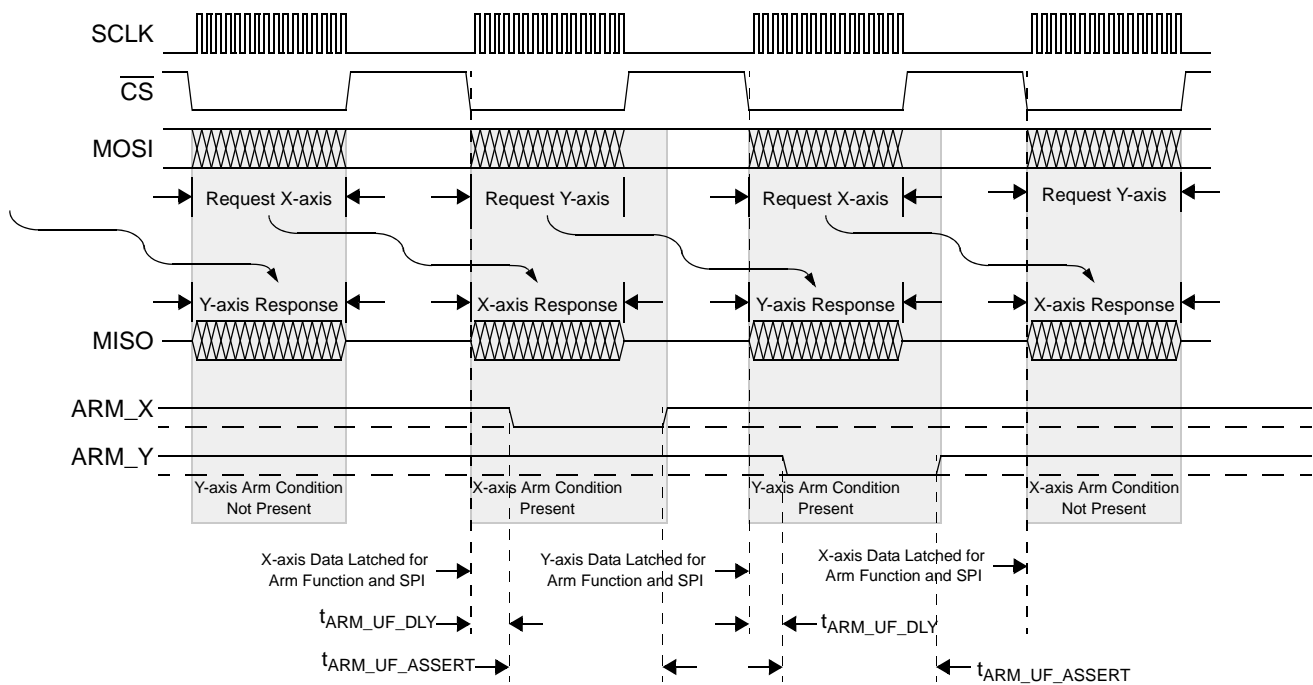


Figure 28. X and Y Axis Arming Conditions, Unfiltered Mode

4.8.9.4 Arming Pulse Stretch Function

A pulse stretch function can be applied to the arming outputs in moving average mode, or count mode.

If the pulse stretch function is not used ($APS_X[1:0] = '00'$ or $APS_Y[1:0] = '00'$), the arming output is asserted if and only if an arming condition exists for the associated axis after the most recent evaluated sample. The arming output is de-asserted if and only if an arming condition does not exist for the associated axis after the most recent evaluated sample. If the pulse stretch function is used, ($APS_X[1:0]$ not equal '00' or $APS_Y[1:0]$ not equal '00'), the arming output is controlled only by the value of the pulse stretch timer value. If the pulse stretch timer value is non-zero, the arming output is asserted. If the pulse stretch timer is zero, the arming output is de-asserted. The pulse stretch counter continuously decrements until it reaches zero. The pulse stretch counter is reset to the programmed pulse stretch value if and only if an arming condition exists for the associated axis after the most recent evaluated sample. Reference [Figure 26](#).

The desired pulse stretch time is individually programmable for each axis via the $APS_X[1:0]$ and $APS_Y[1:0]$ bits in the ARMCFG register.

Exception conditions listed in [Section 5.5](#) do not impact prior arming function responses. If an exception occurs after an arming activation, the corresponding pulse stretch for the existing arming condition will continue. However, new acceleration reads will not reset the pulse stretch counter regardless of the acceleration value.

4.8.9.5 Arming Pin Output Structure

The arming output pin structure can be set to active high, or active low with the A_CFG bits in the DEVCFG register as described in [Section 4.1.6.5](#). The active high and active low pin output structures are shown in [Figure 29](#).

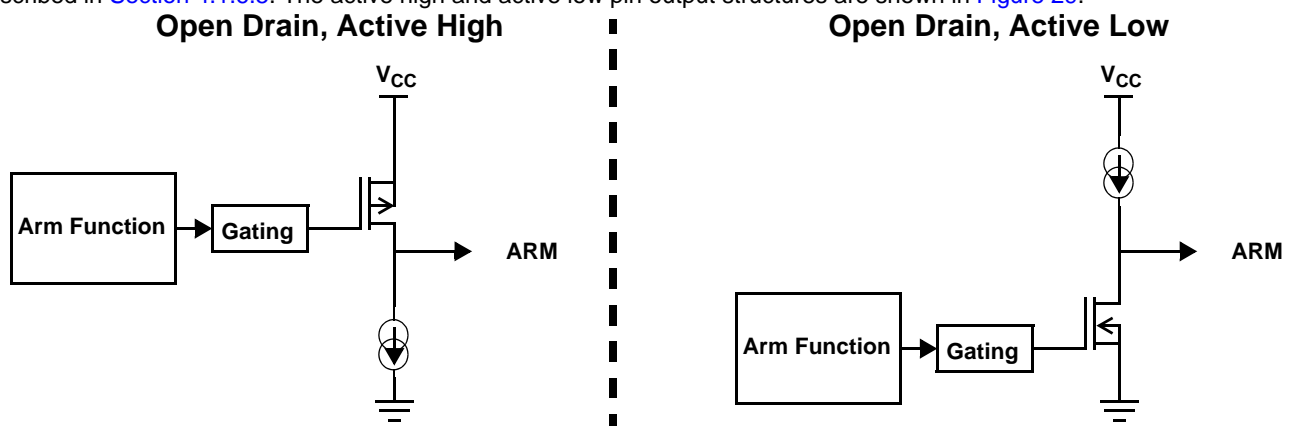


Figure 29. Arming Function - Pin Output Structure

4.8.10 PCM Output Function

MMA68xx provides the option for a PCM output function. The PCM output is enabled by setting the A_CFG bits in the DEVCFG register to the appropriate state as described in [Section 4.1.6.5](#). When the PCM function is enabled, the upper 9 bits of the 10-bit, offset cancelled, output scaled acceleration values are used to generate 8 MHz Pulse Code Modulated signals proportional to the respective acceleration onto the PCM_X and PCM_Y pins. A block diagram of the PCM output is shown in [Figure 30](#).

Exception conditions affect the PCM output as listed in [Section 5.5](#).

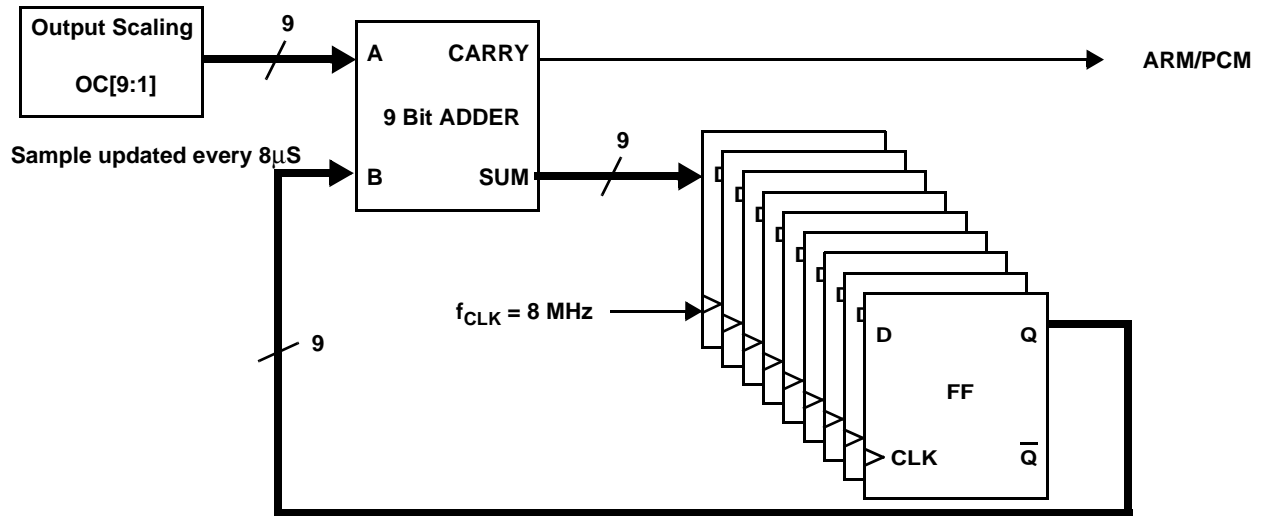


Figure 30. PCM Output Function Block Diagram

4.9 Serial Peripheral Interface

MMA68xx includes a Serial Peripheral Interface (SPI) to provide access to the configuration registers and digital data. Reference [Section 5](#) for details regarding the SPI protocol and available commands.

To maximize independence between the X and Y channels, MMA68xx includes two interface blocks, one for each axis. The X-axis interface block responds only to X-axis acceleration requests, or even addressed register commands. The Y-axis interface block responds only to Y-axis acceleration requests, or odd addressed register commands. To the SPI master, MMA68xx operates as a single device. The internal independent blocks are transparent.

Each SPI block has an independent shift register. Once a message is received (rising edge of \overline{CS}), the contents of the two shift registers are compared. If the contents do not match, the Y-axis SPI block will not respond, and the X-axis SPI block will respond with a SPI Error as shown in [Table 30](#). If the contents match, each SPI block decodes the message, and the appropriate block enables MISO for a response during the next SPI message.

[Figure 31](#) shows an internal diagram of the MMA68xx SPI.

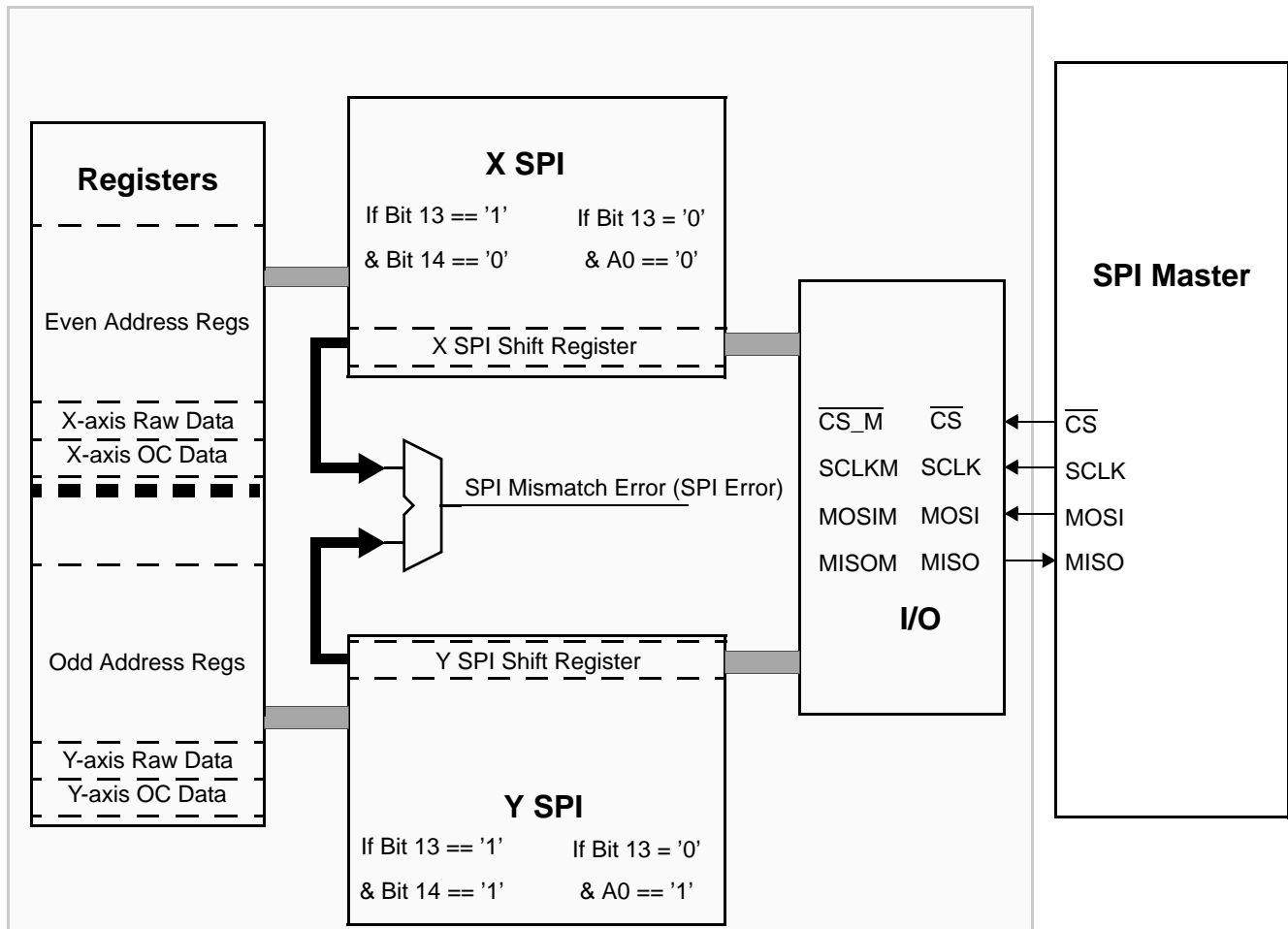
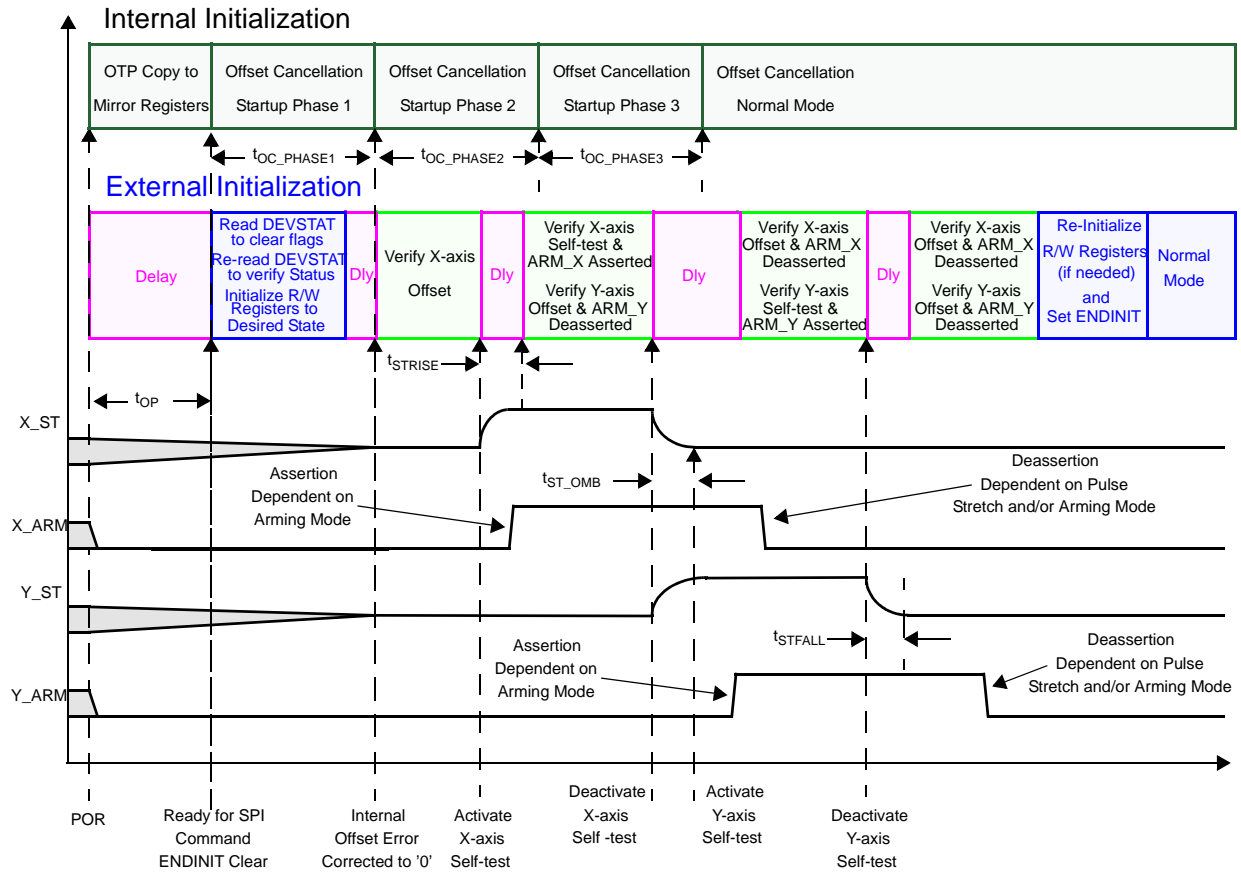


Figure 31. SPI Diagram

4.10 Device Initialization

Following powerup, undervoltage reset, or a SPI reset command sequence, MMA68xx proceeds through an internal initialization process as shown below. Figure 32 also shows the MMA68xx performance for an example external system level initialization procedure.



- Notes: 1) X-axis and Y-axis Self-test can be enabled and evaluated simultaneously to reduce test time.
For failure mode coverage of the arming pins and of potential common axis failures, NXP recommends independent self-test activation.
- 2) t_{STRISE} and t_{STFALL} are dependent on the selected LPF group delay.

Figure 32. Initialization Process

4.11 Overload Response

4.11.1 Overload Performance

MMA68xx is designed to operate within a specified range. Acceleration beyond that range (overload) impacts the output of the sensor. Acceleration beyond the range of the device can generate a DC shift at the output of the device that is dependent upon the overload frequency and amplitude. The MMA68xx g -cell is overdamped, providing the optimal design for overload performance. However, the performance of the device during an overload condition is affected by many other parameters, including:

- g -cell damping
- Non-linearity
- Clipping limits
- Symmetry

Figure 33 shows the g -cell, ADC and output clipping of MMA68xx over frequency. The relevant parameters are specified in Section 3.1, and Section 3.6.

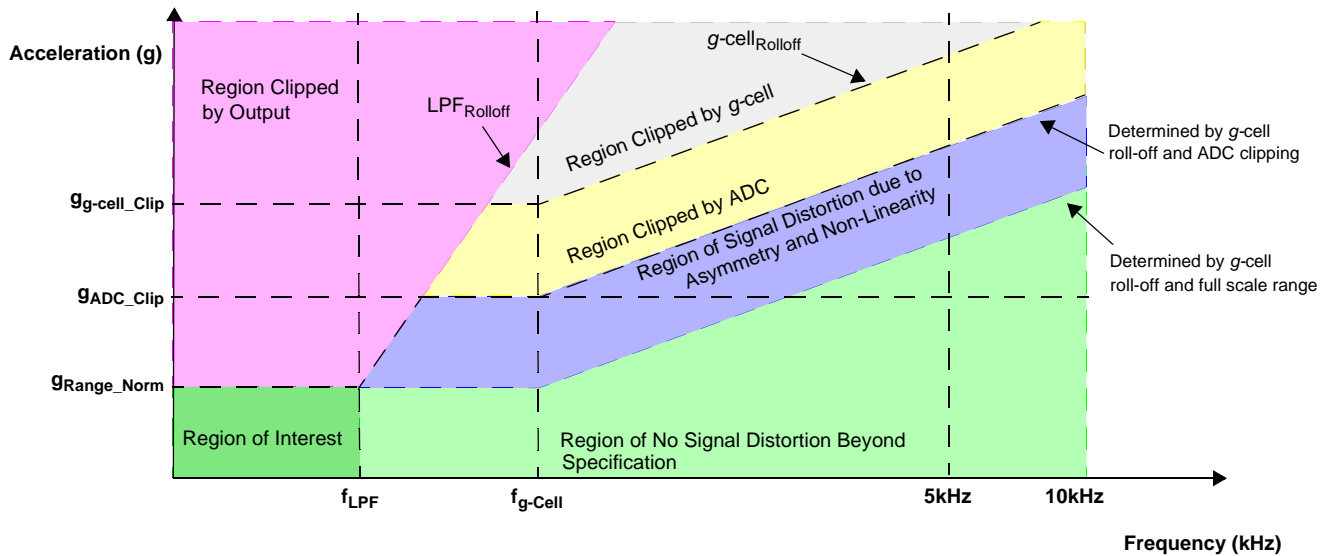


Figure 33. Output Clipping Vs. Frequency

4.11.2 Sigma Delta Over Range Response

Over range conditions exist when the signal level is beyond the full-scale range of the device but within the computational limits of the DSP. The $\Sigma\Delta$ converter can saturate at levels above those specified in Section 3.1 ($G_{\text{ADC_CLIP}}$). The DSP operates predictably under all cases of over range, although the signal may include residual high frequency components for some time after returning to the normal range of operation due to non-linear effects of the sensor.

5 SPI Communications

Communication with MMA68xx is completed through synchronous serial transfers via SPI. MMA68xx is a slave device configured for CPOL = 0, CPHA = 0, MSB first. SPI transfers are completed through a sequence of two phases. During the first phase, the type of transfer and associated control information is transmitted from the SPI master to MMA68xx. Data from MMA68xx is transmitted during the second phase. Any activity on MOSI or SCLK is ignored when CS is negated. Consequently, intermediate transfers involving other SPI devices may occur between phase one and phase two. Reference [Figure 34](#).

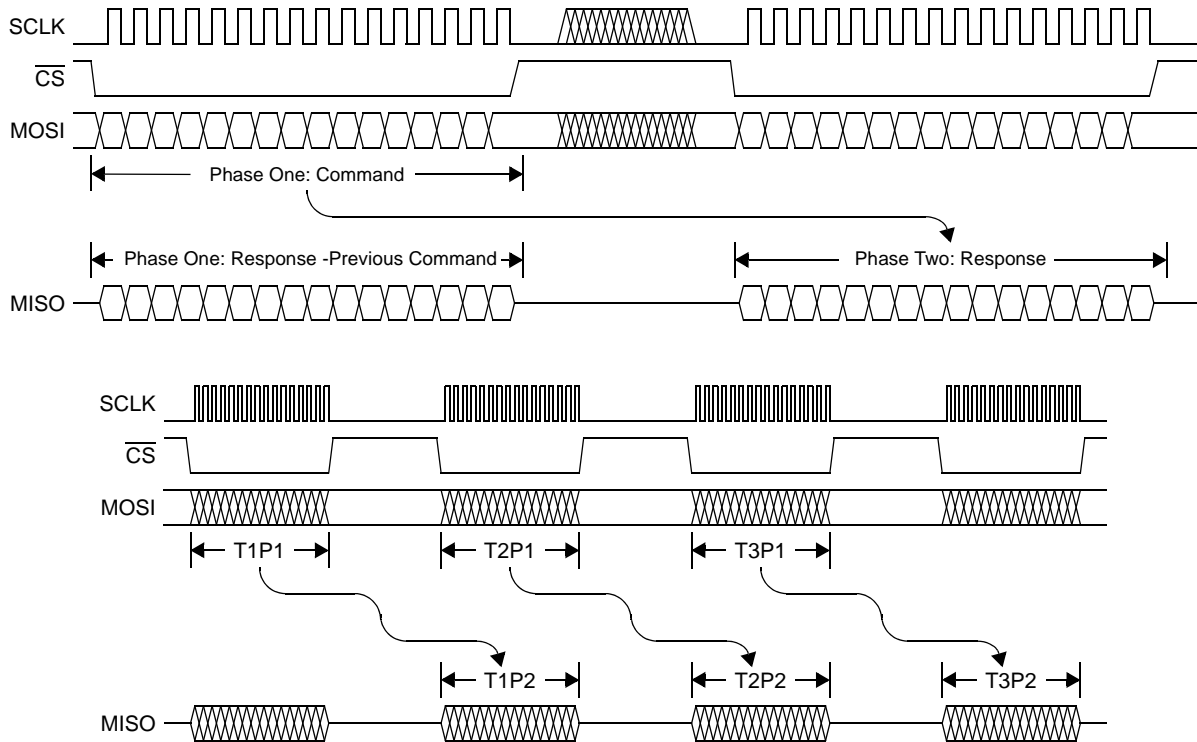


Figure 34. SPI Transfer Detail

5.1 SPI Command Format

Commands are transferred from the SPI master to MMA68xx. Valid commands fall into two categories: register operations, and acceleration data requests.

Table 29. SPI Command Message Summary

MSB													LSB			Command Type	Reference	
15	14	13	12	11	10	9	8	7	6	5	4	3	2	1	0			
0	AX	A	OC	0	0	0	0	0	0	0	0	0	\overline{SD}	ARM	P			
AX= Axis Selection																		
0				X-axis Acceleration Data														
1				Y-axis Acceleration Data														
A = Acceleration Data Request																		
0				Register Operation														
1				Acceleration Data Request														
\overline{OC} = Offset Cancelled Data Request																		
0				Offset Cancelled Data Request														
1				Raw Acceleration Data Request														
\overline{SD} = Signed Data Confirmation																		
				Signed Data Enabled										0				
				Unsigned Data Enabled										1				
ARM = ARM Function Status Confirmation																		
				Disabled / PCM Output Enabled										0				
				Arming Function Enabled										1				
															P = Odd Parity			
0	AX	A	OC	0	0	0	0	0	0	0	0	0	\overline{SD}	ARM	P	Accel Data		
0	0	1	0	0	0	0	0	0	0	0	0	0	0	0	0	X-axis OC, Signed Data, Disabled/PCM		
0	0	1	0	0	0	0	0	0	0	0	0	0	0	1	1	X-axis OC, Signed Data, ARM Enabled		
0	0	1	0	0	0	0	0	0	0	0	0	0	1	0	1	X-axis OC, Unsigned Data, Disabled/PCM		
0	0	1	0	0	0	0	0	0	0	0	0	0	1	1	0	X-axis OC, Unsigned Data, ARM Enabled		
0	0	1	1	0	0	0	0	0	0	0	0	0	0	0	1	X-axis Raw, Signed Data, Disabled/PCM		
0	0	1	1	0	0	0	0	0	0	0	0	0	0	1	0	X-axis Raw, Signed Data, ARM Enabled		
0	0	1	1	0	0	0	0	0	0	0	0	0	1	0	0	X-axis Raw, Unsigned Data, Disabled/PCM		
0	0	1	1	0	0	0	0	0	0	0	0	0	1	1	1	X-axis Raw, Unsigned Data, ARM Enabled		
0	1	1	0	0	0	0	0	0	0	0	0	0	0	0	1	Y-axis OC, Signed Data, Disabled/PCM		
0	1	1	0	0	0	0	0	0	0	0	0	0	0	1	0	Y-axis OC, Signed Data, ARM Enabled		
0	1	1	0	0	0	0	0	0	0	0	0	0	1	0	0	Y-axis OC, Unsigned Data, Disabled/PCM		
0	1	1	0	0	0	0	0	0	0	0	0	0	1	1	1	Y-axis OC, Unsigned Data, ARM Enabled		
0	1	1	1	0	0	0	0	0	0	0	0	0	0	0	0	Y-axis Raw, Signed Data, Disabled/PCM		
0	1	1	1	0	0	0	0	0	0	0	0	0	0	1	1	Y-axis Raw, Signed Data, ARM Enabled		
0	1	1	1	0	0	0	0	0	0	0	0	0	1	0	1	Y-axis Raw, Unsigned Data, Disabled/PCM		
0	1	1	1	0	0	0	0	0	0	0	0	0	1	1	0	Y-axis Raw, Unsigned Data, ARM Enabled		
P	AX	A	D12	D11	D10	D9	D8	D7	D6	D5	D4	D3	D2	D1	D0	Command Type	Reference	
P	0	0	A4	A3	A2	A1	A0	0	0	0	0	0	0	0	0	Register Read	Section 5.4	
			Register Address															
P	1	0	A4	A3	A2	A1	A0	D7	D6	D5	D4	D3	D2	D1	D0	Register Write	Section 5.4	
			Register Address					Data to be Written to Register										
P = Odd Parity																		

5.2 SPI Response Format

Table 30. SPI Response Message Summary

		MSB														LSB						
		15	14	13	12	11	10	9	8	7	6	5	4	3	2	1	0					
CMD	A	AX	Response to Valid Acceleration Request														Data Type	Reference				
			OC	0	AX	P	S1	S0	D9	D8	D7	D6	D5	D4	D3	D2			D1	D0		
			OC = Offset Cancelled Data Requested																			
			0	Transferred Accel Data is Offset Cancelled Data																		
			1	Transferred Accel Data is Raw Data																		
			AX = Axis Requested																			
			0	X-axis Acceleration Data Response																		
			1	Y-axis Acceleration Data Response																		
			P = Odd Parity																			
			S[1:0] = Device Status																			
			0	0	In Initialization (ENDINIT = '0')																	
			0	1	Normal Data Request																	
			1	0	ST Active, $\Sigma\Delta$ /Offset Over range Present																	
			1	1	Internal Error Present / SPI Error																	
CMD	A	AX	OC	0	AX	P	S1	S0	D9	D8	D7	D6	D5	D4	D3	D2	D1	D0	Data Type	Reference		
			1	0	X- Axis Acceleration Data																Accel	Section 5.3
			1	0	X-axis Self-test Active Acceleration Data																Accel	
			1	0	X- Axis Acceleration Data, Initialization in Process (ENDINIT='0')																Accel	
			1	1	Y-axis Acceleration Data																Accel	
			1	1	Y-axis Self-test Active Acceleration Data																Accel	
			1	1	Y- Axis Acceleration Data, Initialization in Process (ENDINIT='0')																Accel	

		MSB														LSB				
		15	14	13	12	11	10	9	8	7	6	5	4	3	2	1	0			
CMD	A	AX	Response to Valid Register Access														Data Type	Reference		
			D15	D14	AX	P	D11	D10	D9	D8	D7	D6	D5	D4	D3	D2			D1	D0
Register Write	0	1	0	0	1	P	1	1	1	0	D7	D6	D5	D4	D3	D2	D1	D0	Register Write	Section 5.4.1
			New Contents of Register																	
Register Read	0	0	0	1	0	P	1	1	1	0	D7	D6	D5	D4	D3	D2	D1	D0	Register Read	Section 5.4.2
			Contents of Register																	

		MSB														LSB				
		15	14	13	12	11	10	9	8	7	6	5	4	3	2	1	0			
CMD	A	AX	Error Responses														Data Type	Reference		
			D15	D14	AX	P	D11	D10	D9	D8	D7	D6	D5	D4	D3	D2			D1	D0
Invalid Accel Request	x	x																Register Setting Mismatch	Section 5.3	
Internal Error Present	x	x																IDE Bit Set (Excl. Self-test), DEVINIT Bit Set, DEVRES Bit Set	Section 5.5.5	
MISO Error	x	x	0	0	0	P	1	1	$\overline{SD} = 1: 00\ 0000\ 0000$ $SD = 0: 10\ 0000\ 0000$										MISO Error on Previous Msg	Section 5.5.2
SPI Error	x	x																MOSI Parity, CMD Bit 15 = 1, SPI Timing Err, SPI Mismatch Err, SPI Protocol Errs	Section 5.5.1	
Invalid Register Request	0	x	0	0	0	0	1	1	1	0	0	0	0	0	0	0	0	Invalid Reg Addr, Write while ENDINIT set, Write to R/O Reg	Section 5.4	
Self-test Error	0	x	0	0	1	P	1	1	$\overline{SD} = 1: 00\ 0000\ 0000$ $SD = 0: 10\ 0000\ 0000$										IDE Bit set due to Self-test Error	Section 5.5.5

5.3 Acceleration Data Transfers

Acceleration data requests are initiated when the Acceleration bit of the SPI command message (A) is set to a logic '1'. The Axis Selection bit (AX) and the Offset Cancellation Selection bit (\overline{OC}) of the command message select the type of acceleration data requested, as shown in [Table 31](#).

Table 31. Acceleration Data Request

Acceleration Data Request Command Information		Data Type
Axis Selection Bit (AX)	Offset Cancellation Select (\overline{OC})	
0	0	X-axis Offset Cancelled Data
0	1	X-axis Raw Data
1	0	Y-axis Offset Cancelled Data
1	1	Y-axis Raw Data

To verify that MMA68xx is configured as expected, each acceleration data request includes the configuration information that impacts the output data. The requested configuration is compared against the data programmed in the writable register array. Details are shown in [Table 32](#).

Table 32. Acceleration Data Request Configuration Information

Programmable Option	Command Message Bit	Writable Register Information
Signed or Unsigned Data	\overline{SD}	DEVCFG[4] (\overline{SD})
Arming Function or PCM Output	ARM	DEVCFG[2] DEVCFG[1] (A_CFG[2] A_CFG[1])

If the data listed in [Table 32](#) does not match, an Acceleration Data Request Mismatch failure is detected and no acceleration data is transmitted. Reference [Section 5.5.3.1](#).

Acceleration data request commands include a parity bit (P). Odd parity is employed. The number of logic '1' bits in the acceleration data request command must be an odd number.

Acceleration data is transmitted on the next SPI message if and only if all of the following conditions are met:

- The DEVINIT bit in the DEVSTAT register is not set
- The DEVRES bit in the DEVSTAT register is not set
- The IDE bit in the DEVSTAT register is not set (Reference [Section 5.5.5](#))
- No SPI Error is detected (Reference [Section 5.5.1](#))
- No MISO Error is detected (Reference [Section 5.5.2](#))
- No Acceleration Data Request Mismatch failure is detected (Reference [Section 5.5.3.1](#))
- No Self-test Error is present (reference [Section 5.5.5.2](#))

If the above conditions are met, MMA68xx responds with a "valid acceleration data request" response as shown in [Table 30](#). Otherwise, MMA68xx responds as specified in [Section 5.5](#).

5.4 Register Access Operations

Two types of register access operations are supported; register write, and register read. Register access operations are initiated when the acceleration bit (A) of the command message is set to a logic '0'. The operation to be performed is indicated by the Access Selection bit (AX) of the command message.

Access Selection Bit (AX)	Operation
0	Register Read
1	Register Write

Register Access operations include a parity bit (P). Odd parity is employed. The number of logic '1' bits in the Register Access operation must be an odd number.

5.4.1 Register Write Request

During a register write request, bits 12 through 8 contain a 5-bit address, and bits 7 through 0 contain the data value to be written. Writable registers are defined in [Table 3](#).

The response to a register write operation is shown in [Table 30](#). The response is transmitted on the next SPI message if and only if all of the following conditions are met:

- No SPI Error is detected (Reference [Section 5.5.1](#))
- No MISO Error is detected (Reference [Section 5.5.2](#))
- The ENDINIT bit is cleared (Reference [Section 4.1.6.2](#))
 - This applies to all registers with the exception of the DEVCTL register
- No Invalid Register Request is detected (Reference [Section 5.5.3.2](#))

If the above conditions are met, MMA68xx responds to the register write request as shown in [Table 30](#). Otherwise, MMA68xx Responds as specified in [Section 5.5](#).

Register write operations do not occur internally until the transfer during which they are requested has been completed. In the event that a SPI Error is detected during a register write transfer, the write operation is not completed.

5.4.2 Register Read Request

During a register read request, bits 12 through 8 contain the 5-bit address for the register to be read. Bits 7 through 0 must be logic '0'. Readable registers are defined in [Table 3](#).

The response to a register read operation is shown in [Table 30](#). The response is transmitted on the next SPI message if and only if all of the following conditions are met:

- No SPI Error is detected (Reference [Section 5.5.1](#))
- No MISO Error is detected (Reference [Section 5.5.2](#))
- No Invalid Register Request is detected (Reference [Section 5.5.3.2](#))

If the above conditions are met, MMA68xx responds to the register read request as shown in [Table 30](#). Otherwise, MMA68xx responds as specified in [Section 5.5](#).

5.5 Exception Handling

The following sections describe the conditions for each detectable exception, and the MMA68xx response for each exception. In the event that multiple exceptions exist, the exception response is determined by the priority listed in [Table 33](#).

Table 33. SPI Error Response Priority

Error Priority	Exception	Effect on Data		
		SPI Data	Arming Output	PCM Output
1	SPI Error	Error Response	No Update	No Effect
2	SPI MISO Error	Error Response	No Update	No Effect
3	Invalid Request	Error Response	No Update	No Effect
4	DEVINIT Bit Set	Error Response	No Update	Disabled
5	DEVRES Error	Error Response	No Update	Disabled
6	CRC Error	Error Response	No Update	No Effect
7	Self-test Error	Error Response	No Update	No Effect
8	Offset Monitor Over Range	No Effect	No Effect	No Effect
9	$\Sigma\Delta$ Over Range	No Effect	No Effect	No Effect

5.5.1 SPI Error

The following SPI conditions result in a SPI error:

- SCLK is high when \overline{CS} is asserted the number of SCLK rising edges detected while \overline{CS} is asserted is not equal to 16
- SCLK is high when \overline{CS} is negated
- Command message parity error (MOSI)
- Bit 15 of Acceleration Data Request is not equal to '0'
- Bits 3 through 11 of an Acceleration Request are not equal to '0'
- Bits 0 through 7 of a Register Read Request are not equal to '0'

MMA68xx responds to a SPI error with a "SPI Error" response as shown in Table 30. This applies to both acceleration data request SPI errors, and Register Access SPI errors.

The arming function will not be updated if a SPI Error is detected. The PCM output is not affected by a SPI Error.

5.5.2 SPI Data Output Verification Error

MMA68xx includes a function to verify the integrity of the data output to the MISO pin. The function reads the data transmitted on the MISO pin and compares it against the data intended to be transmitted. If any one bit doesn't match, a SPI MISO Mismatch Fault is detected and the MISOERR flag in the DEVSTAT register is set.

If a valid SPI acceleration request message is received during the SPI transfer with the MISO mismatch failure, the SPI acceleration request message is ignored and MMA68xx responds with a "MISO Error" response during the subsequent SPI message (reference Table 30). The Arming function is not updated if a MISO mismatch failure occurs. The PCM function is not affected by the MISO mismatch failure.

If a valid SPI register write request message is received during the SPI transfer with the MISO mismatch failure, the register write is completed as requested, but MMA68xx responds with a "MISO Error" response as shown in Table 30, during the subsequent SPI message.

If a valid SPI register read request message is received during the SPI transfer with the MISO mismatch failure, the register read is ignored and MMA68xx responds with a "MISO Error" response as shown in Table 30, during the subsequent SPI message. If the register read request is for the DEVSTAT register, the DEVSTAT register will not be cleared.

In all cases, the MISOERR flag in the DEVSTAT register will remain set until a successful SPI Register Read Request of the DEVSTAT register is completed.

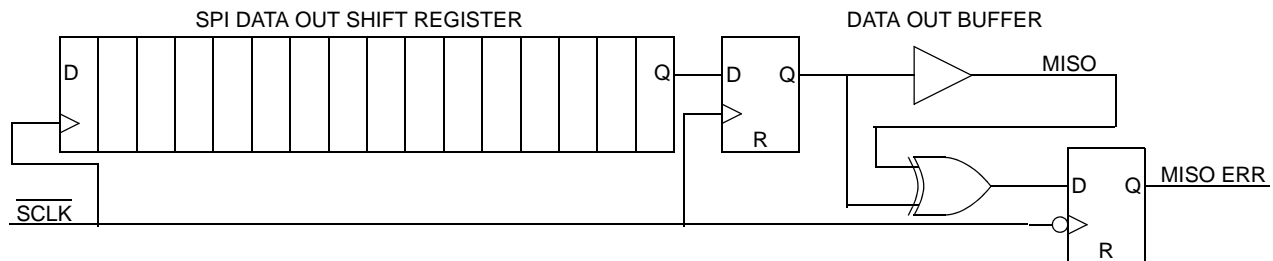


Figure 35. SPI Data Output Verification

5.5.3 Invalid Requests

5.5.3.1 Acceleration Data Request Mismatch Failure

MMA68xx detects an "Acceleration Data Request Mismatch" error if the SPI "Acceleration Data Request" Command data listed in Table 32 does not match the internal register settings. MMA68xx responds to an "Acceleration Data Request Mismatch" error with an "Invalid Accel Request" response as specified in Table 30 on the subsequent SPI message only. No internal fault is recorded. The arming function will not be updated if an "Acceleration Data Request Mismatch" Error is detected. The PCM output is not affected by the "Acceleration Data Request Mismatch" error.

Register operations will be executed as specified in Section 5.4.

5.5.3.2 Invalid Register Request

The following conditions result in an “Invalid Register Request” error:

- An attempt is made to write to an un-writable register (Writable registers are defined in [Section 4.1, Table 3](#)).
- An attempt is made to write to a register while the ENDINIT bit in the DEVCFG register is set
 - This applies to all registers with the exception of the DEVCTL register
- An attempt is made to read an un-readable register (Readable registers are defined in [Section 4.1, Table 3](#)).

MMA68xx responds to an “Invalid Register Request” error with an “Invalid Register Request” response as shown in [Table 30](#).

5.5.4 Device Reset Indications

If the DEVINIT, or DEVRES bit is set in the DEVSTAT register as described in [Section 4.1.10](#), MMA68xx will respond to acceleration data requests with an “Internal Error Present” response until the bits are cleared in the DEVSTAT register. The DEVINIT bit is cleared automatically when device initialization is complete (Reference t_{OP} in [Section 3.6](#)). The DEVRES bit is cleared on a read of the DEVSTAT register. The arming function will not be updated on Acceleration Data Request commands if the DEVINIT or DEVRES bit is set in the DEVSTAT register. The PCM output is disabled if the DEVINIT or DEVRES bit is set.

5.5.5 Internal Error

The following errors will result in an internal error, and set the IDE bit in the DEVSTAT register:

- OTP CRC Failure
- Writable Register CRC Failure
- Self-test Error
- Invalid internal logic states

5.5.5.1 CRC Error

If the IDE bit is set in the DEVSTAT register due to an OTP Shadow Register or Writable Register CRC failure as described in [Section 4.2](#), MMA68xx will respond to acceleration data requests with an “Internal Error Present” response until the IDE bit is cleared in the DEVSTAT register. The arming function will not be updated on Acceleration Data Request commands if a CRC Error is detected. The PCM output is not affected by the CRC error.

If the CRC error is in the writable register array, and the ENDINIT bit in the DEVCFG register has been set, the error can only be cleared by a device reset. The IDE bit will not be cleared on a read of the DEVSTAT register.

If the CRC error is in the OTP shadow register array, the error cannot be cleared.

Register operations will be executed as specified in [Section 5.4](#).

5.5.5.2 Self-test Error

If the IDE bit is set in the DEVSTAT register due to a Self-test activation failure, MMA68xx will respond to acceleration data requests with a “Self-test Error” response until the IDE bit is cleared in the DEVSTAT register. The arming function will not be updated on Acceleration Data Request commands if a Self-test Error is detected. The PCM output is not affected by the Self-test Error. The IDE bit in the DEVSTAT register will remain set until a read of the DEVSTAT register occurs, even if the internal failure is removed. If the internal error is still present when the DEVSTAT register is read, the IDE bit will remain set.

Register operations will be executed as specified in [Section 5.4](#).

5.5.6 Offset Monitor Over Range

If an offset monitor over range is present as described in [Section 4.8.5](#), MMA68xx will respond to an acceleration request for the corresponding axis with a “Valid Acceleration Data Request” response, but the Status bits (S[1:0]) will be set to ‘10’. The arming function will be updated on Acceleration Data Request commands even if an Offset Monitor Over Range is detected. Once the over range condition is removed, MMA68xx will respond to acceleration requests with a “Valid Acceleration Data Request” response with the Status bits (S[1:0]) set to ‘10’ on the next SPI transfer, and a “Valid Acceleration Data Request” response with normal status on subsequent SPI transfers. The OFFSET_X or OFFSET_Y bit in the DEVSTAT register will remain set until a read of the DEVSTAT register occurs.

The PCM output is not affected by the offset monitor over range condition.

Register operations will be executed as specified in [Section 5.4](#).

5.5.7 $\Sigma\Delta$ Over Range

If a $\Sigma\Delta$ Over Range failure is present as described in [Section 4.11.2](#), MMA68xx will respond to acceleration data requests with a "Valid Acceleration Data Request" response, but the Status bits (S[1:0]) will be set to '10'. The arming function will be updated on Acceleration Data Request commands even if a $\Sigma\Delta$ Over Range is detected. Once the over range condition is removed, MMA68xx will respond to acceleration requests with a "Valid Acceleration Data Request" response with the Status bits (S[1:0]) set to '10' on the next SPI transfer, and a "Valid Acceleration Data Request" response with normal status on subsequent SPI transfers. The SDOV bit in the DEVSTAT register will remain set until a read of the DEVSTAT register occurs.

The PCM output is not affected by the $\Sigma\Delta$ over range condition.

Register operations will be executed as specified in [Section 5.4](#).

5.6 Initialization SPI Response

The first data transmitted by MMA68xx following reset is the SPI Error response shown in [Table 30](#). This ensures that an unexpected reset will always be detectable. MMA68xx will respond to all acceleration data requests with the "Invalid Acceleration Data Request" response until the DEVRES bit in the DEVSTAT register is cleared via a read of the DEVSTAT register. The arming function will not be updated on Acceleration Data Request commands until the DEVRES bit in the DEVSTAT register is cleared.

5.7 Acceleration Data Representation

Acceleration values are determined from the 10-bit digital output (DV) using the following equations:

$$\text{Acceleration} = \text{Sensitivity}_{\text{LSB}} \times \text{DV} \quad \text{For Signed Data}$$

$$\text{Acceleration} = \text{Sensitivity}_{\text{LSB}} \times (\text{DV} - 512) \quad \text{For Unsigned Data}$$

The linear range of digital values for signed data is -480 to $+480$, and for unsigned data is 32 to 992 . Resulting ranges and some nominal acceleration values are shown in the following table.

Table 34. Nominal Acceleration Data Values

Unsigned Digital Value	Signed Digital Value	Nominal Acceleration	
		Trimmed for Maximum Sensitivity (g)	Trimmed for Maximum Range (g)
993 to 1023	481 to 511	Unused	
992	480	19.666	117.19
991	479	19.625	116.94
•	•	•	•
•	•	•	•
•	•	•	•
514	2	+0.082	+0.488
513	1	+0.041	+0.244
512	0	0	0
511	-1	-0.041	-0.244
510	-2	-0.082	-0.488
•	•	•	•
•	•	•	•
•	•	•	•
33	-479	-19.625	-116.94
32	-480	-19.666	-117.19
1 to 31	-481 to -511	Unused	
0	-512	Fault	

Figure 36 shows the how the possible output data codes are determined from the input data and the error sources. The relevant parameters are specified in Section 3.4.

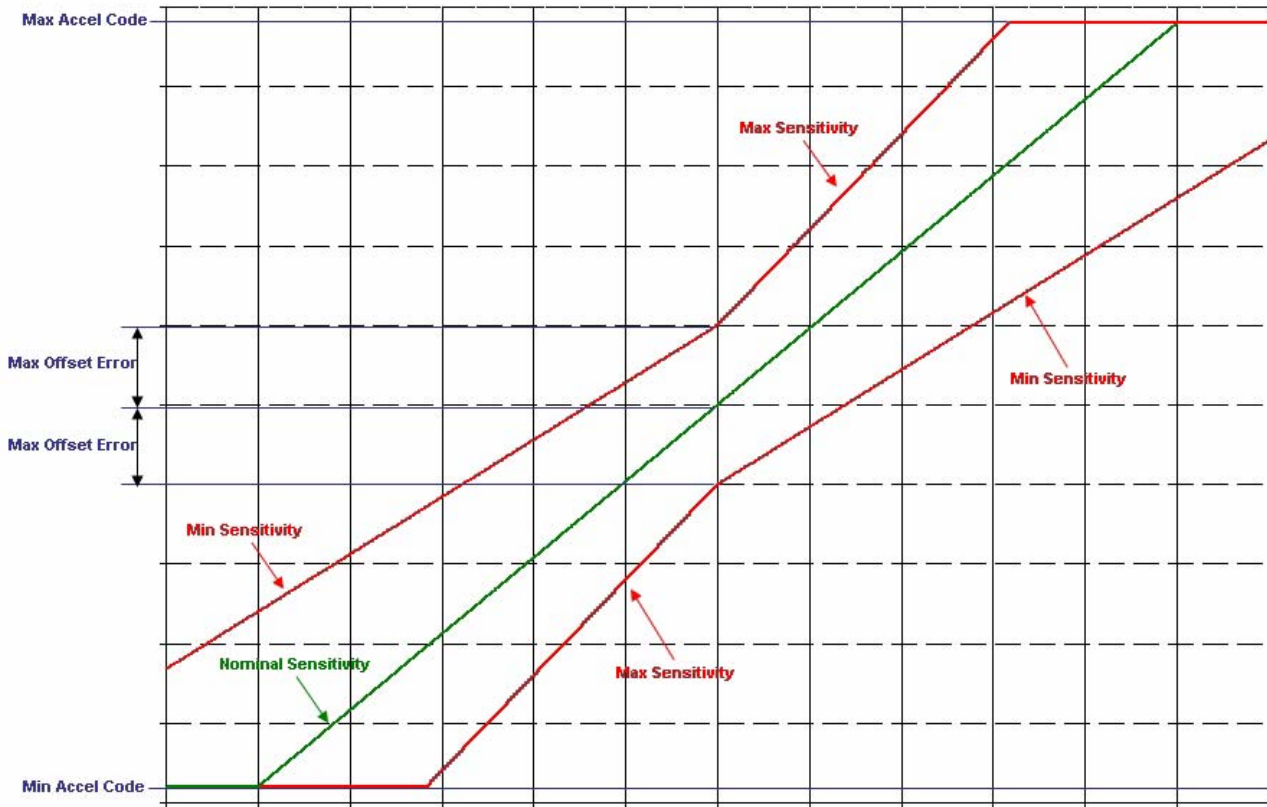


Figure 36. Acceleration Data Output Vs. Acceleration Input

6 Package

6.1 Case Outline Drawing

Reference NXP case outline document 98ASA00690D.

<http://cache.nxp.com/assets/documents/data/en/package-information/98ASA00690D.pdf>

6.2 Recommended Footprint

Reference NXP application note AN1902, latest revision:

<http://www.nxp.com/assets/documents/data/en/application-notes/AN1902.pdf>

7 Revision History

Table 35. Revision History

Revision number	Revision date	Description of changes
9.0	01/2017	<ul style="list-style-type: none">Deleted part numbers MMA6811BKGTW, MMA6813BKGTW,, MMA6821BKGTW, MMA6823BKGTW, MMA6825BKGTW, MMA6826BKGTW, and MMA6827BKGTW,Updated part marking diagram to reflect deletions.
8.0	04/2016	—
7	01/2016	—
6	10/2014	—
5	03/2012	—
4	12/2011	—



How to Reach Us:

Home Page:

[NXP.com](http://www.nxp.com)

Web Support:

<http://www.nxp.com/support>

Information in this document is provided solely to enable system and software implementers to use NXP products. There are no expressed or implied copyright licenses granted hereunder to design or fabricate any integrated circuits based on the information in this document. NXP reserves the right to make changes without further notice to any products herein.

NXP makes no warranty, representation, or guarantee regarding the suitability of its products for any particular purpose, nor does NXP assume any liability arising out of the application or use of any product or circuit, and specifically disclaims any and all liability, including without limitation, consequential or incidental damages. "Typical" parameters that may be provided in NXP data sheets and/or specifications can and do vary in different applications, and actual performance may vary over time. All operating parameters, including "typicals," must be validated for each customer application by the customer's technical experts. NXP does not convey any license under its patent rights nor the rights of others. NXP sells products pursuant to standard terms and conditions of sale, which can be found at the following address:

<http://www.nxp.com/terms-of-use.html>.

NXP, the NXP logo, Freescale, the Freescale logo, SafeAssure, and the SafeAssure logo, are trademarks of NXP B.V. All other product or service names are the property of their respective owners. All rights reserved.

© 2017 NXP B.V.

Document Number: MMA68xx
Rev. 9.0
01/2017



Mouser Electronics

Authorized Distributor

Click to View Pricing, Inventory, Delivery & Lifecycle Information:

[NXP:](#)

[MMA6821KW](#) [MMA6821KWR2](#) [MMA6813KW](#) [MMA6801KW](#) [MMA6801KWR2](#) [MMA6811KW](#) [MMA6811KWR2](#)
[MMA6823KW](#) [MMA6823KWR2](#) [MMA6825KW](#) [MMA6825KWR2](#) [MMA6827KW](#) [MMA6827KWR2](#) [MMA6826KW](#)
[MMA6826KWR2](#) [MMA6813KWR2](#) [MMA6823BKCWR2](#) [MMA6825BKCWR2](#) [MMA6813BKCWR2](#) [MMA6827BKCWR2](#)