

NX2012SA

For OA / AV / Mobile Communications

■ Features

- Compact, thin, and light weight tuning fork crystal unit.
- Compact and thin. (2.0×1.2×0.55mm)
- Use a metal lid: Excellent shock resistance during chip mounting process comparing to a glass lid.
- Excellent electric performance optimum for mobile communications, OA (office automation) and AV (audiovisual) applications are exhibited.
- A surface-mount crystal oscillator. (Reflow soldering is possible.)
- RoHS compliant. These can meet the requirements of re-flow profiling using leadfree solder.



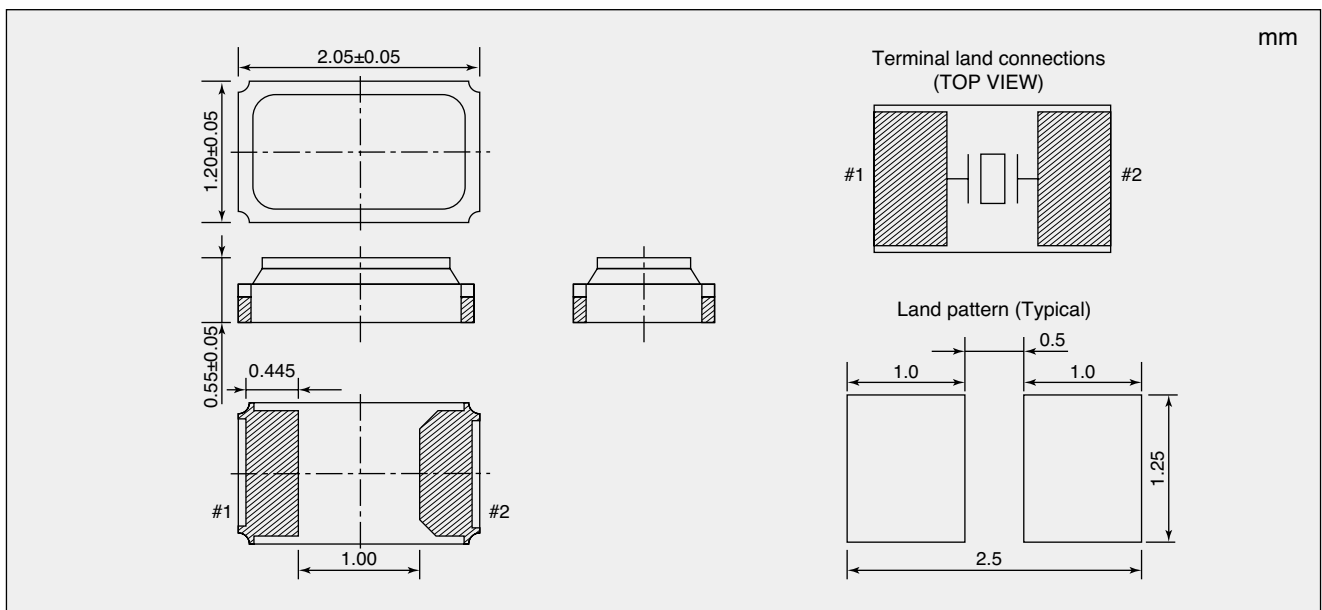
Pb Free

RoHS Compliant
Directive 2011/65/EU

■ Specifications

Item	Model	NX2012SA
Nominal Frequency		32.768kHz
Operating Temperature Range		-40 to +85°C
Storage Temperature Range		-40 to +85°C
Level of Drive		0.1μW (0.5μW Max.)
Frequency Tolerance (25 ±3 °C)		±20 × 10 ⁻⁶
Turning Point		+25°C ± 5°C
Temperature Coefficient		-0.04 × 10 ⁻⁶ /°C ² Max.
Load Capacitance		12.5pF
Equivalent Series Resistance		80kΩ Max.
Shunt Capacitance		1.3pF typ./ 1.5pF Max.
Insulation Resistance		500MΩ Min.
Specifications Number		STD-MUB-1

■ Dimensions



Please specify the model name, frequency, and specification number when you order products.
For further questions regarding specifications, please feel free to contact us.

Mouser Electronics

Authorized Distributor

Click to View Pricing, Inventory, Delivery & Lifecycle Information:

NDK:

[NX2012SA-32.768K-STD-MUB-1](#)