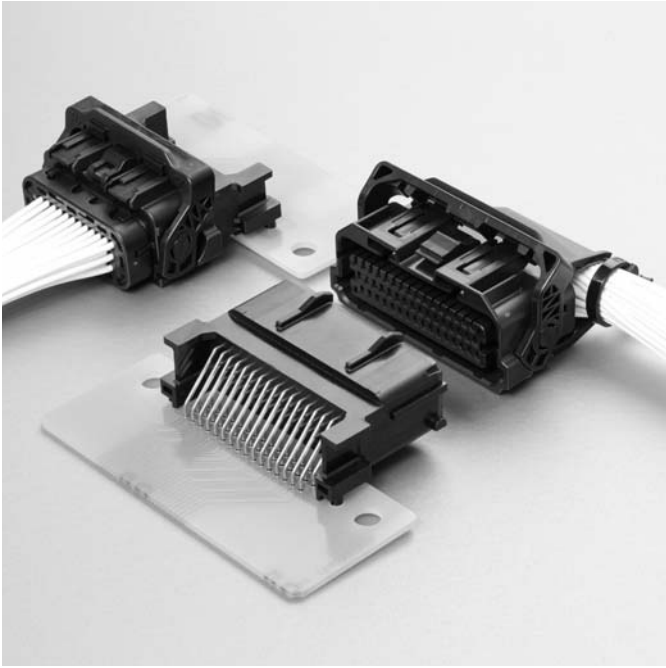


ZRO CONNECTOR

Board-to-wire/Sealed connector



This connector is an interface connector, 48 and 36 circuits sealed and lever type.

Features

●Improvement of Operability

The lever is adopted to decrease the connector mating force. The fixing part to PC board is snap fit configuration in consideration of the workability when assembling.

●Sealed

Mat seal is adopted for improving the workability of wire seal part.

●Durability

Heat resistant specification corresponding to 120°C.

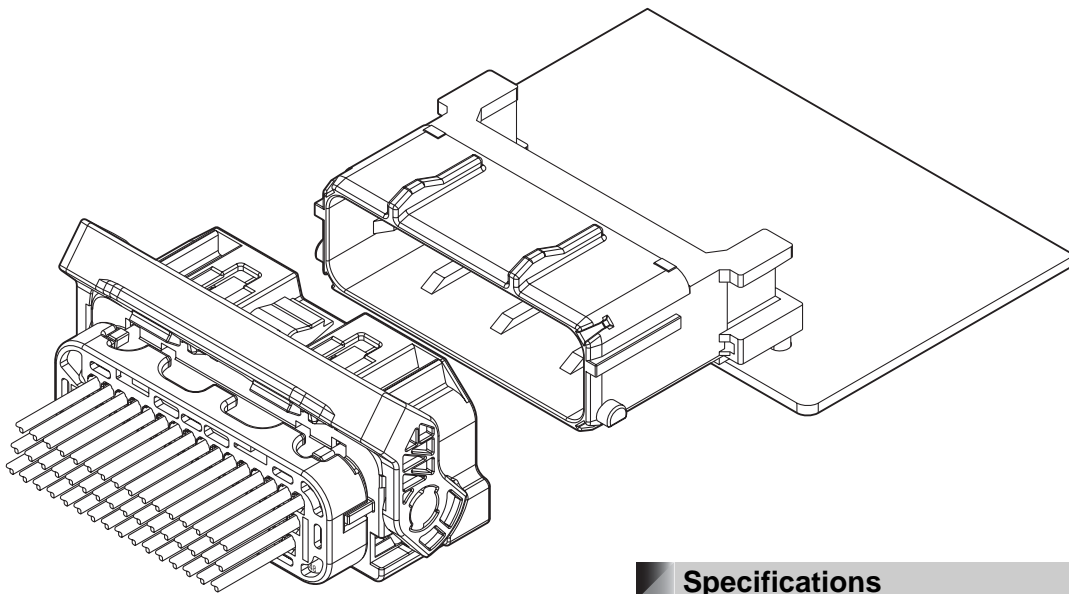
●Reduced waste structure

Low cost and low resources are realized by abolishing use of the wire rod pin and the alignment board.

●Variations

This connector is available in two kinds of keying codes. If the harness cover of an option is used, the harness can be taken out from the side.

Circuits: Lineup of 48 and 36 circuits.



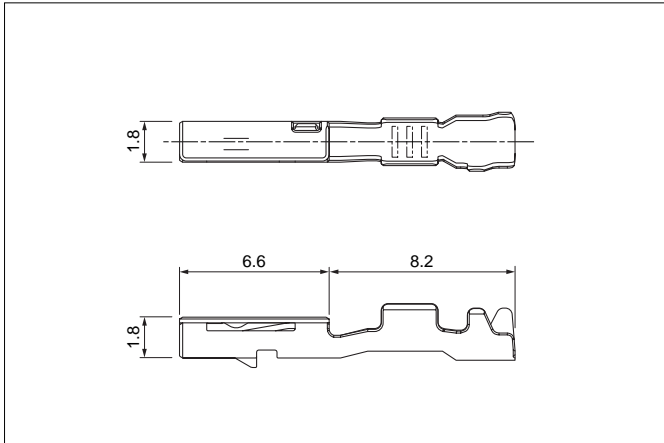
Specifications

- Current rating: Power/ 7 A DC
Signal/ 5 A DC
- Voltage rating: 50 V DC
- Temperature range: -40°C to +120°C
(including temperature rise in applying electrical current)
- Contact resistance: Initial value/ 8 mΩ max.
After environmental tests/ 16 mΩ max.
- Insulation resistance: 100 MΩ min.
- Withstanding voltage: 1,000 VAC/minute
- Applicable wire: AVSS 0.3 mm² to 0.85 mm²
AESSX-f 0.3 mm² to 0.75 mm²

* Compliant with ELV/RoHS.

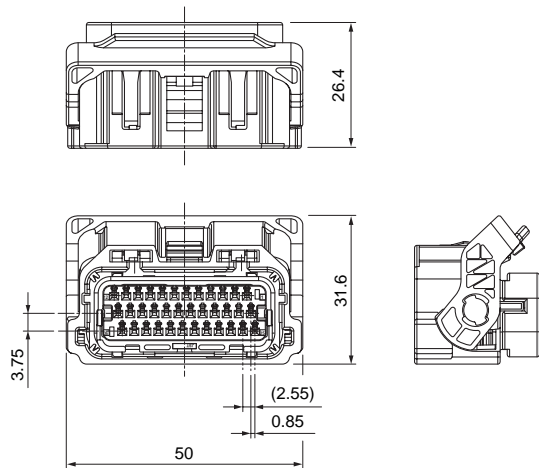
* Contact JST for details.

Female terminal

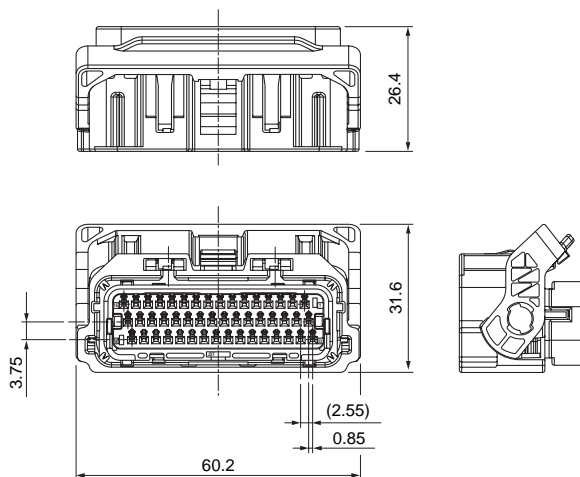


Female connector

• 36 circuits



• 48 circuits



Model No.	Applicable wire range		Q'ty/reel
	Conductor (mm ²)	Insulation O.D. (mm)	
SZRO-A021T-M0.64	0.3 to 0.5	1.4 to 1.7	7,500
SZRO-A031T-M0.64	0.75 to 0.85	1.8 to 1.9	7,000

Material and Finish

Copper alloy, tin-plated (reflow treatment)

Circuits	Model No.	Key Code	Applicable wire range (mm ²)	Q'ty/box	Housing Color	Wire seal Color
36	36ZRO-B-1A	A	0.5 to 0.85	512	Black	Brown
	36ZRO-B-2A	A	0.3 to 0.85 (Note)	512	Black	Red
	36ZRO-B-2B	B	0.3 to 0.85 (Note)	512	Gray	Red
48	48ZRO-B-1A	A	0.5 to 0.85	384	Black	Brown
	48ZRO-B-1B	B	0.5 to 0.85	384	Gray	Brown
	48ZRO-B-2A	A	0.3 to 0.85 (Note)	384	Black	Red
	48ZRO-B-2B	B	0.3 to 0.85 (Note)	384	Gray	Red

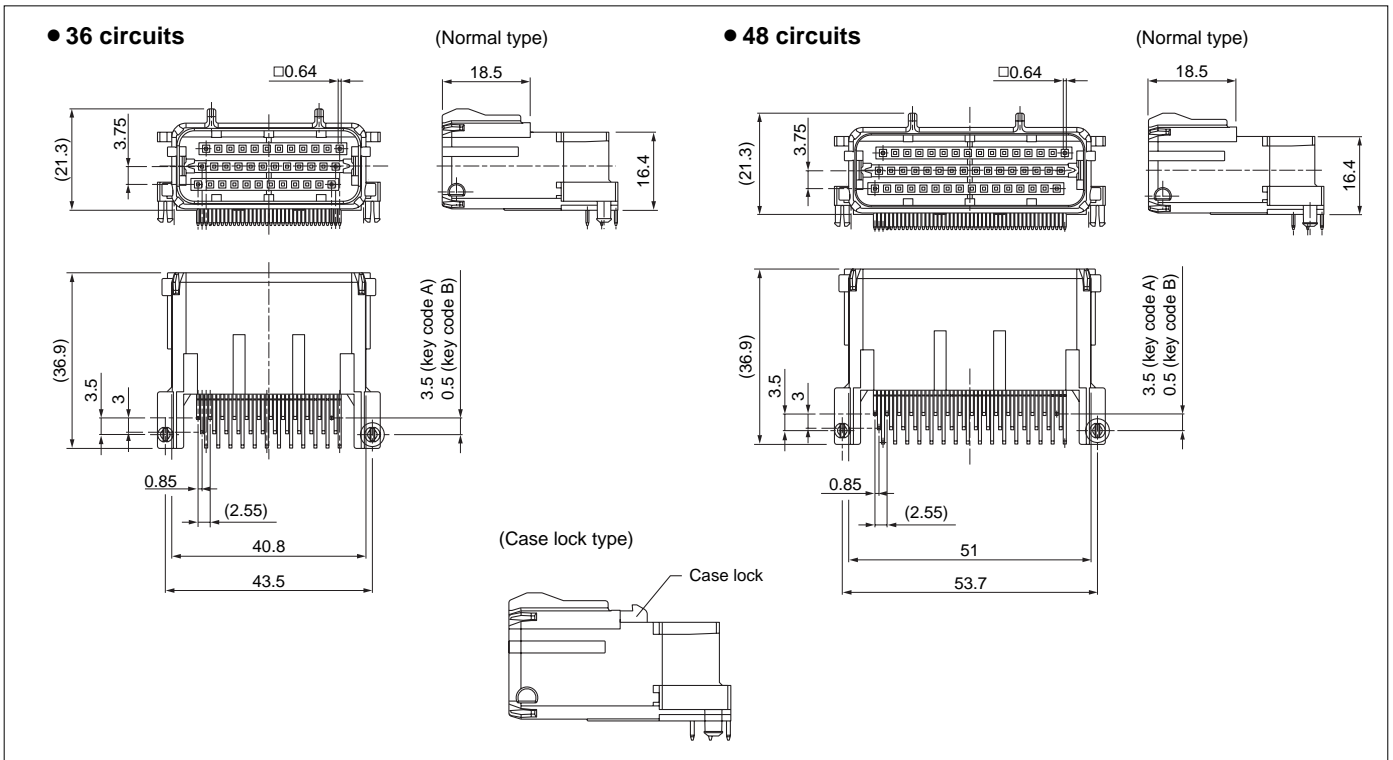
Material and Finish

Housing: Glass-filled PBT
Seal: Silicone
Lever: POM

Note: There is a limit to an arrangement and number of wires when 0.75 mm² and 0.85 mm² wires applied. Refer to the drawing or contact JST for details.

ZRO CONNECTOR

Male connector

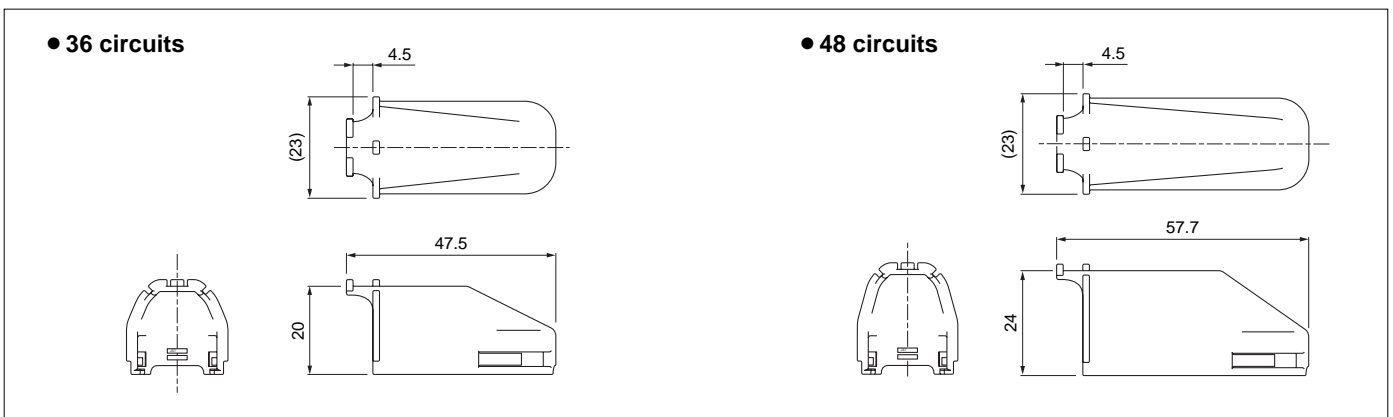


Type	Circuits	Model No.	Key Code	Q'ty/box	Housing Color
Normal	36	S36B-ZROK-2A-R	A	240	Black
		S36B-ZROH-2B-R	B		Gray
	48	S48B-ZROK-2A-R	A	192	Black
		S48B-ZROH-2B-R	B		Gray
Case lock	36	S36B-ZROK-3A-R	A	240	Black
		S36B-ZROH-3B-R	B		Gray
	48	S48B-ZROK-3A-R	A	192	Black
		S48B-ZROH-3B-R	B		Gray

Material and Finish

Housing: Glass-filled PBT
Pin: Brass, tin-plated (reflow treatment)

Harness cover



Circuits	Model No.	Q'ty/box	Housing Color
36	ZROHC-36H-K-1	900	Black
48	ZROHC-48H-K-1	600	Black

Material and Finish

PBT

Mouser Electronics

Authorized Distributor

Click to View Pricing, Inventory, Delivery & Lifecycle Information:

JST:

[48ZRO-B-1A\(N\)](#) [SZRO-A021T-M0.64](#) [SZRO-A031T-M0.64](#) [S48B-ZROK-2A-R](#) [ZROHC-48H-K-1](#) [S36B-ZROK-2A-R](#)